



SEA®

Sistemi Elettronici
di Apertura Porte e Cancelli
International registered trademark n. 804888

CE

Italiano

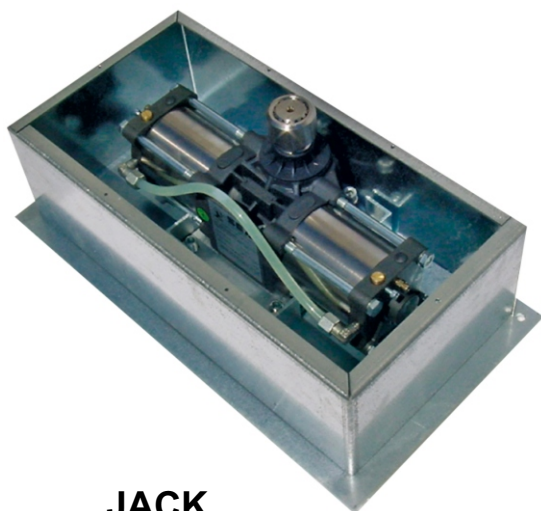
English

Français

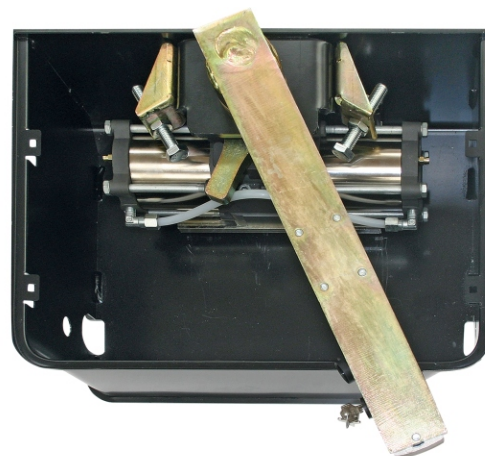
Español

LYRA, JACK 400/800/1200

**Operatore oleodinamico interrato
Underground hydraulic operator
Opérateur hydraulique enterré
Actuador oleodinámico enterrado**



JACK



**JACK
CASSA PORTANTE
CARRYING BOX**



LYRA

SEA S.p.A.
Zona industriale 64020 S.ATTO Teramo - (ITALY)
Tel. 0861 588341 r.a. Fax 0861 588344

www.seateam.com

seacom@seateam.com



SEA®

Sistemi Elettronici
di Apertura Porte e Cancelli
International registered trademark n. 804888

LYRA
JACK 400 (with and without slowdown)
JACK 800 (with and without slowdown)
JACK 1200 (with and without slowdown)



ENGLISH

FITTING AND CONNECTION INSTRUCTIONS

The **LYRA JACK** consists of a hydraulic pump and a hydraulic jack. The jack is placed inside a non carrying or carrying box (inox only for carrying box).

The **pump unit** casing, which is used as an oil tank, contains the electric motor, fluid pump, distributor and hydraulic oil. It is also provided with an **adjustable slowing-down device** in the two stop phases of the leaf (versions with slow-down only).

The wheeling unit is composed by a double piston connected to a rack which engages with the pinion of the leaf dragging shaft.

Gates up to 2 meters long can be securely locked using the operators internal hydraulic locking system, thus ensuring perfect keeping in closing and in opening. For gate in excess of stated value: A hydraulic non locking operator should be used in conjunction with a separate electrical locking device to ensure keeping in closing.

On the operators with hydraulic slow down it is present only during the last 15° of rotation. The system comes with a release which allows the manual opening of the leaves in case of power failure.

MAIN PARTS NOMENCLATURE

- | | |
|--|-----------------------|
| 1 Jack | 9 Air bleed screw |
| 2 Broached bush | 10 Greaser |
| 3 Box lid | 11 Crank |
| 4 Box | 12 Hydraulic unit box |
| 5 Foundation base | 13 Oil charge cap |
| 6 Braking adjusting screw (where provided) | 14 Oil level cap |
| 7 Exit hole for electric cables | 15 Hydraulic plug |
| 8 Water draining hole | 16 Release screw |
| | 17 By pass valves |

NON-CARRYING BOX

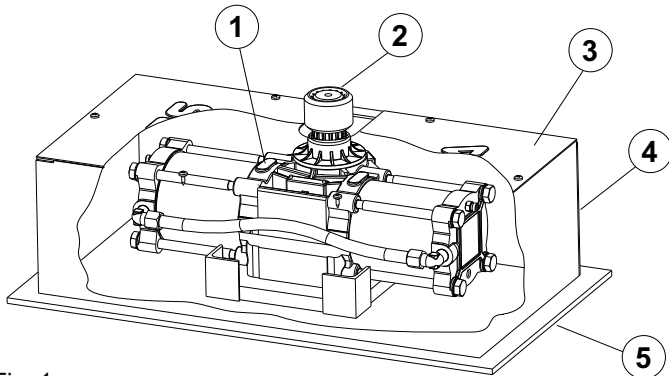


Fig. 1

CARRYING BOX

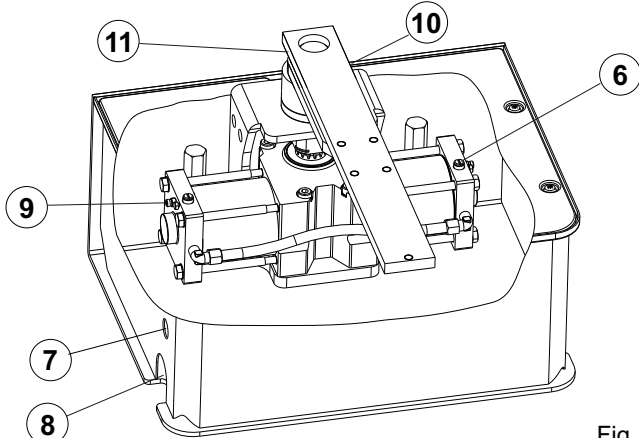


Fig. 2

LYRA HYDRAULIC UNIT

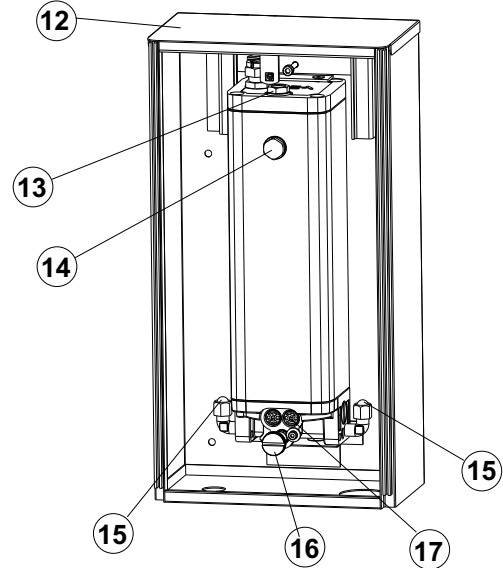
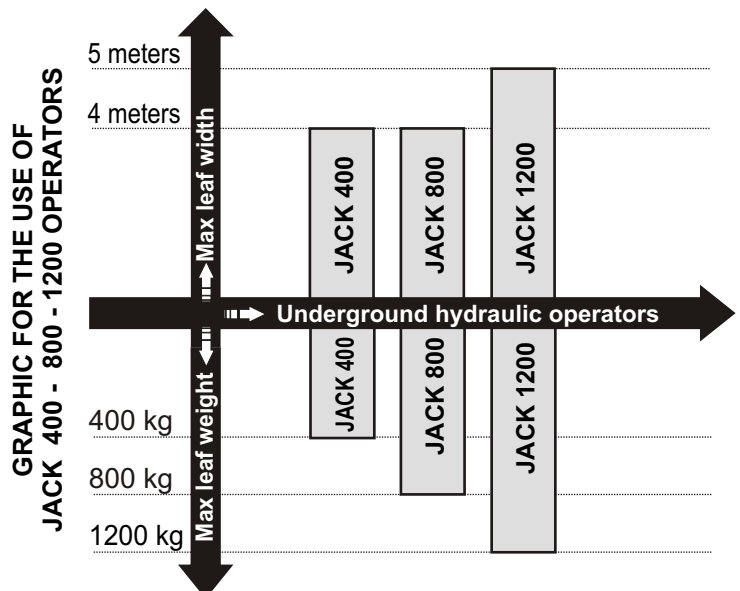


Fig. 3

TECHNICAL DATA	Lyra	Jack 400	Jack 800	Jack 1200
Power supply	230 Vac 50/60 Hz			
Motor Power	220W		310W	
Motor rotation speed	1400 rpm			
Angular speed	7° / s		8,2° / s	
Cycles hour (with a 20°C temp.)	45		60	
Operating temperature	-20°C / +55°C			
Thermal protection intervention	130°		150°	
Max torque	56 da N		75 da N	
Starting capacitor	12,5 µF		10 µF	
Pump capacity	0,5 L		1,5 L	
Hydro slowdown	SI 15° AP/CH (If present)			
Weight	8 Kg			
Protection class	IP67			
Maximum weight of the gate	-	400 kg	800 kg	1200 kg
Max. leaf length	4 m			5 m
Jack rotation angle	-	100° - 140° - 180°		100°

Note1: The frequency of use is valid only for the first hour at 20°C room Temperature.

Note2: If a hydraulic slowdown is present DO NOT activate the slowdown via electronic control unit.



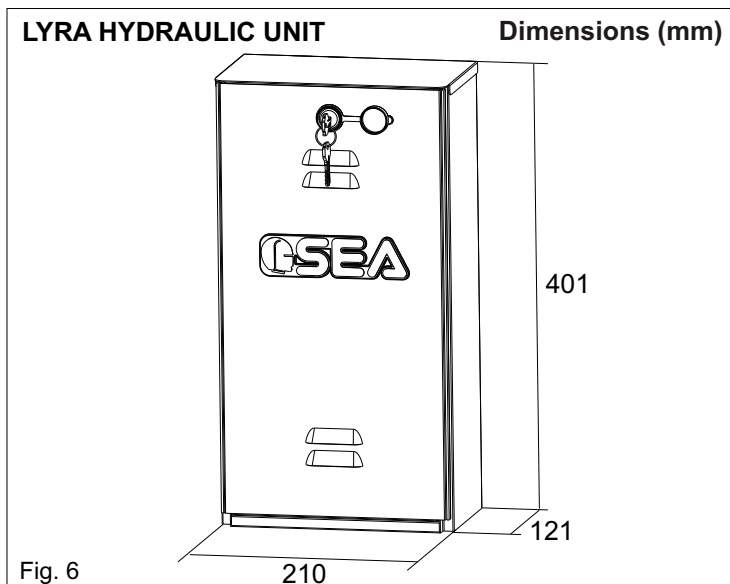
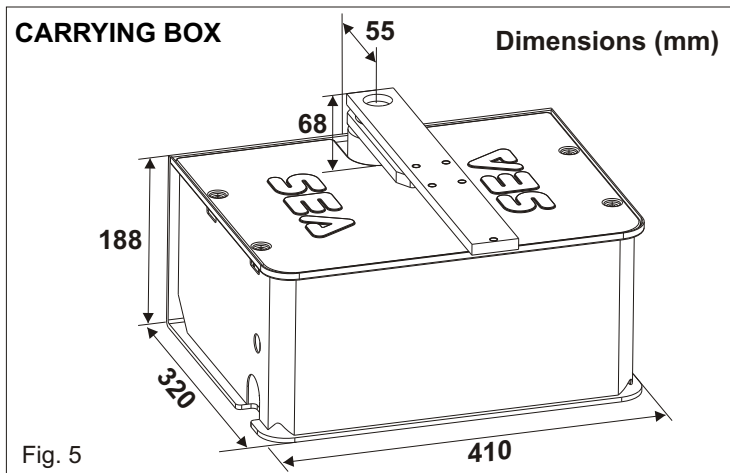
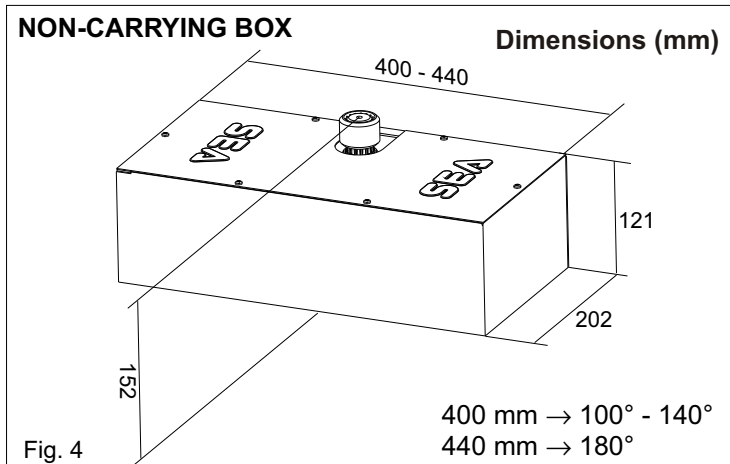
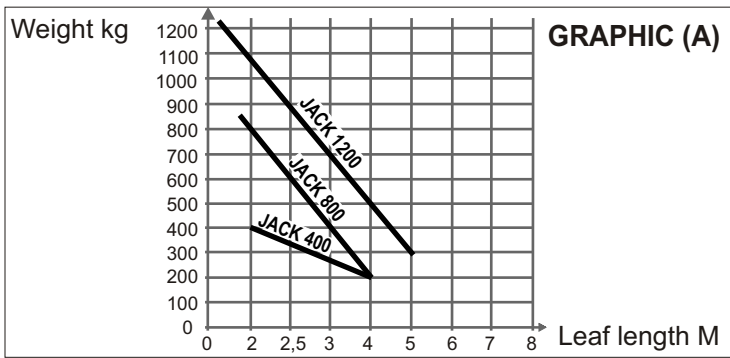


SEA®

Sistemi Elettronici
di Apertura Porte e Cancelli
International registered trademark n. 804888

CE

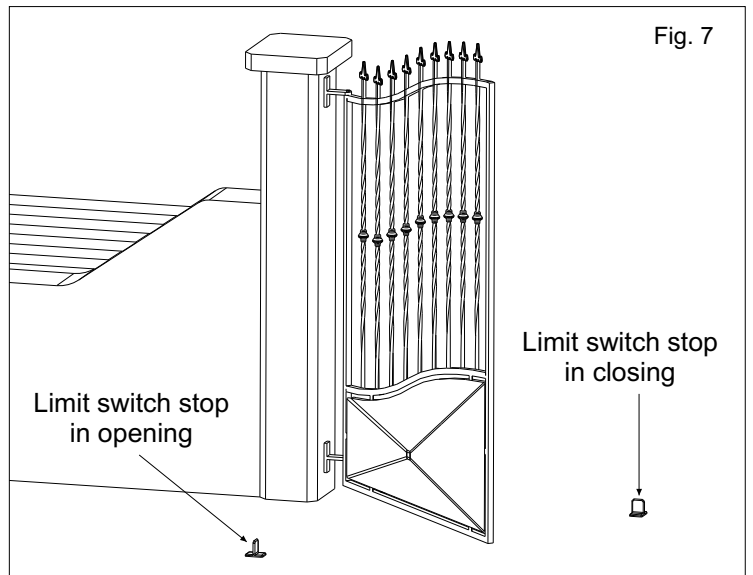
ENGLISH



1. GATE ARRANGEMENT

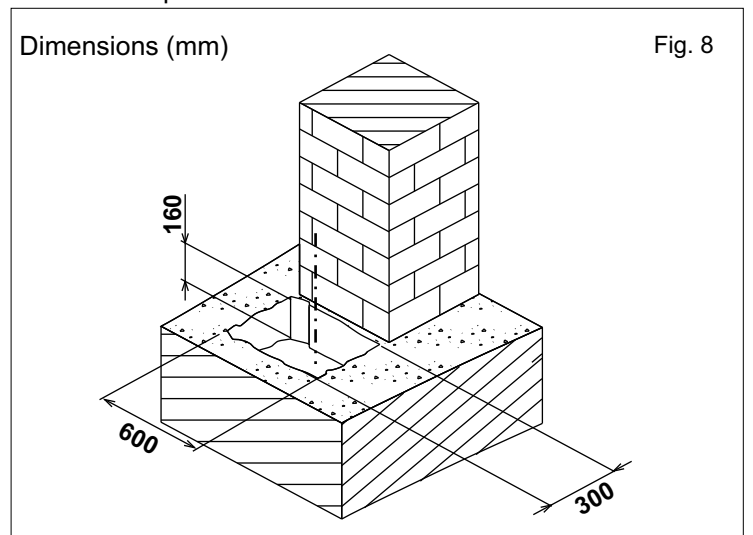
You must do some checks on the gate to see if fitting a LYRA, JACK system is possible:

- A.** (Make sure that) the fixed and moving parts of the gate are strong and non-deformable;
- B.** the weight of each gate leaf must not exceed 400 kg (Jack 400), 800 kg (Jack 800), 1200 kg (Jack 1200) see the graphic (A);
- C.** the hinges and general structure must be in good condition and the gate must move smoothly throughout its travel;
- D.** the upper hinge alone is sufficient to install the unit; those which are unnecessary can be eliminated (the lower and that in the middle if exists);
- E.** as the limit switches are not provided within the actuator, it is necessary to install mechanical limit switches stops to be fixed to the ground in closing and in opening (Fig. 7).



2. NON-CARRYING BOX INSTALLATION

2.1. The excavation which contains the non-carrying box must have the approximate dimensions mentioned in Fig. 8. For a correct placing, it is obligatory to closely follow the quote of 55 mm which corresponds to the minimum distance of the rotation axis from the pillar.





2.2. Inside the excavated pit you have to plan:

- rain water drainage;
- a water waste pipe in flexible plastic of about 40 mm of diameter to put inside the provided hole of the box before it is concreted (Fig. 9). **It must be brought to the drain of the sewer line;**
- a sheath for the passage of the hydraulic tubes of about 32 mm of diameter which must be brought to the proximity of the hydraulic unit box (Fig. 9).

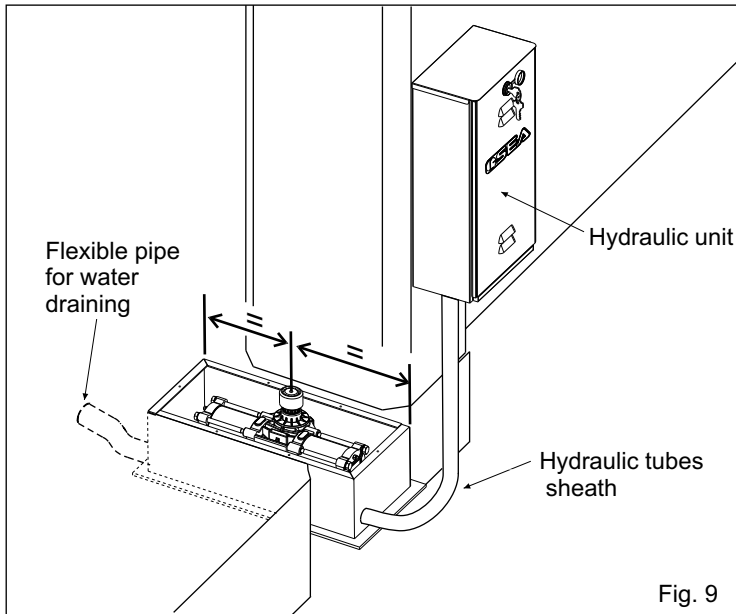


Fig. 9

2.3. Before concreting the box, use a level to make it perfectly horizontal to the ground (Fig. 10) and perpendicular to the axis of the gate (Fig. 11).

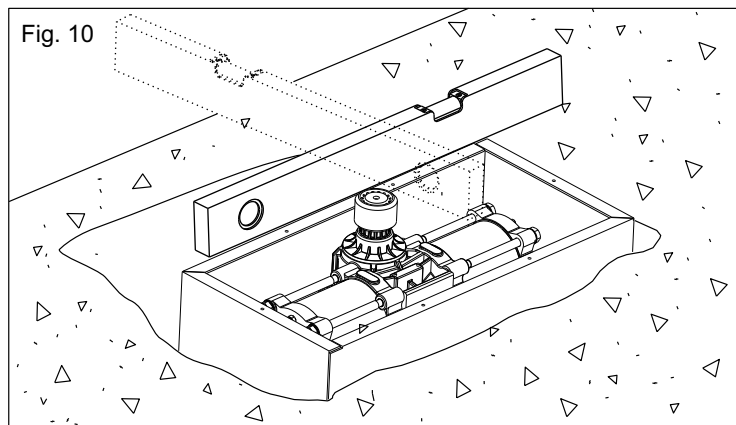


Fig. 10

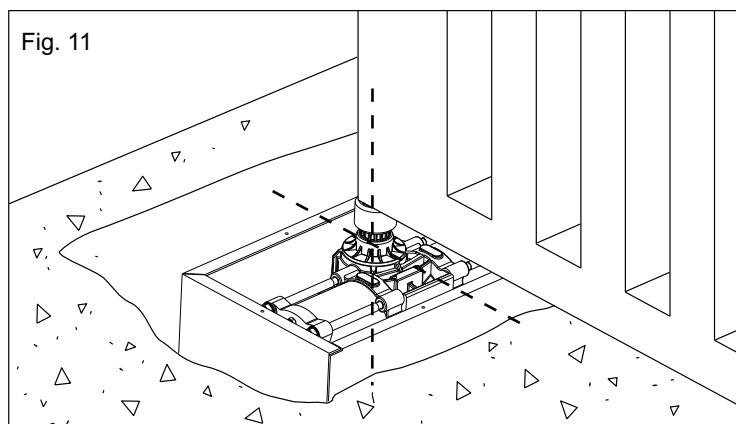


Fig. 11

3. INSTALLATION OF THE OPERATOR INSIDE THE NON-CARRYING BOX

3.1. Place the jack inside the foundation box (Fig.12) positioning the axis of the output shaft aligned with the axis of the hinge of the gate and weld the four angular ends to fix the same (Fig. 13).

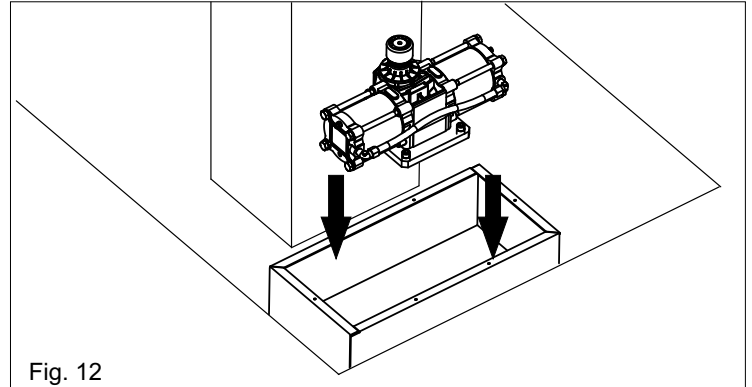


Fig. 12

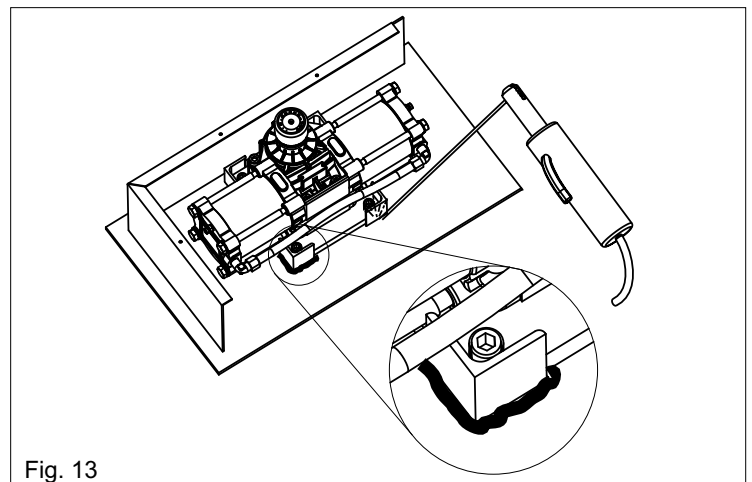


Fig. 13

4. MOUNTING OF THE LEAF ON NON-CARRYING BOX

- 4.1. Insert the broached bush on the shaft of the jack. Turn the shaft of the jack toward closing until it stops. **WARNING: For operators with brake make sure that the jack has reached the stop and not the beginning of the slowdown.**
- 4.2. Go back about 5° and weld the bush to the U-shaped bar (not supplied) and to the leaf of the gate (Fig. 14).

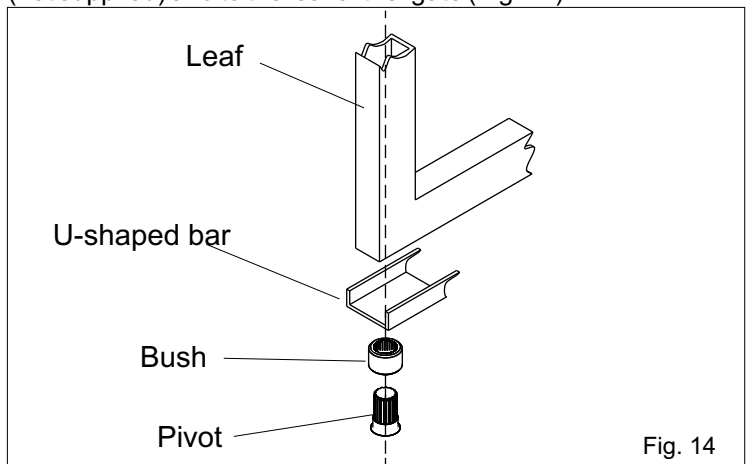


Fig. 14



SEA®

Sistemi Elettronici
di Apertura Porte e Cancelli
International registered trademark n. 804888

CE

ENGLISH

4.3. Be careful not to place the leaf outside the axis (Fig. 16 and 17) and make sure that the shaft corresponds to the rotation axis of the jack.

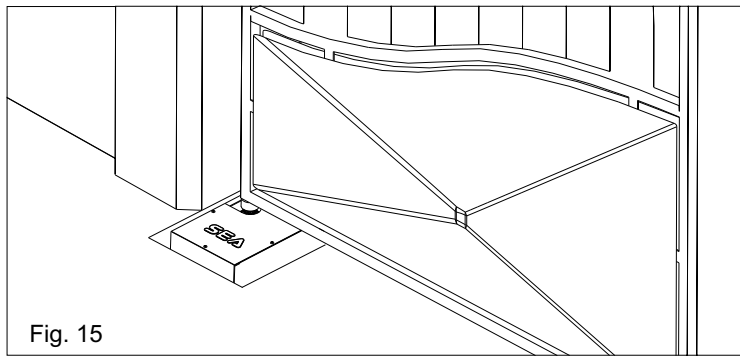


Fig. 15

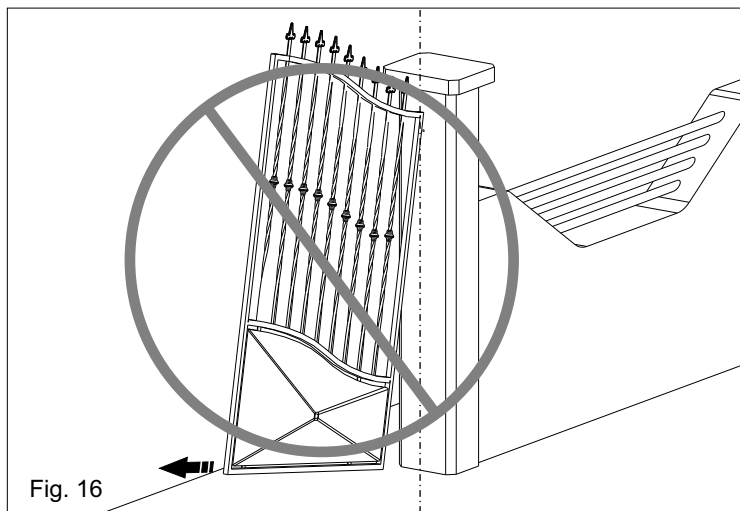


Fig. 16

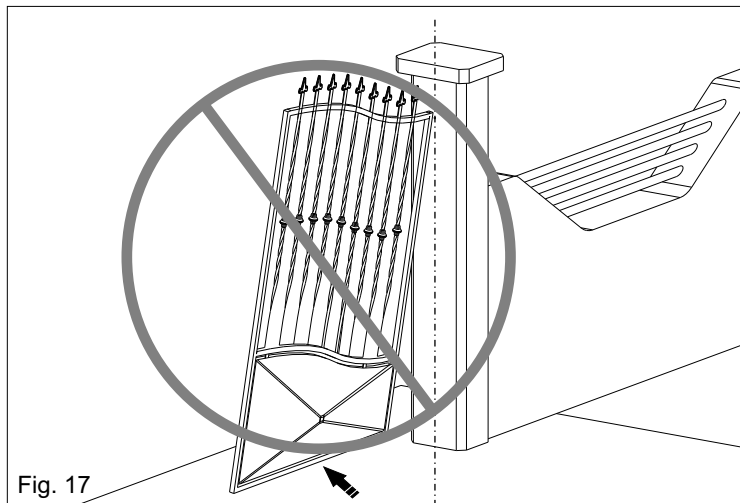


Fig. 17

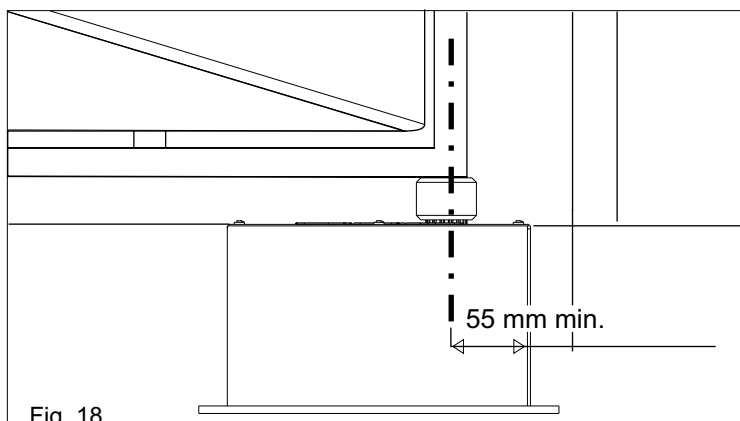


Fig. 18

5. HYDRAULIC UNIT BOX WALL INSTALLATION (Fig.19)

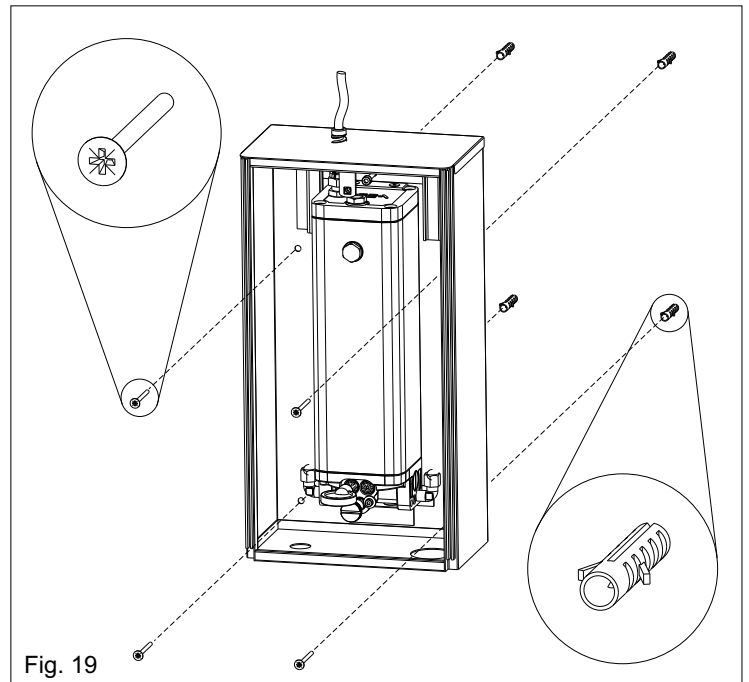


Fig. 19

5.1. Connect the hydraulic tubes with the hydraulic unit and the jack (Fig.21, Fig.22, Fig.23).

After having installed the box, the gate and the operator, try to slowly move the gate by hand to make sure that there are no irregular frictions and that the movement is uniform for the whole range.

Notice: To do this last operation, release the operator as described in the related paragraph.

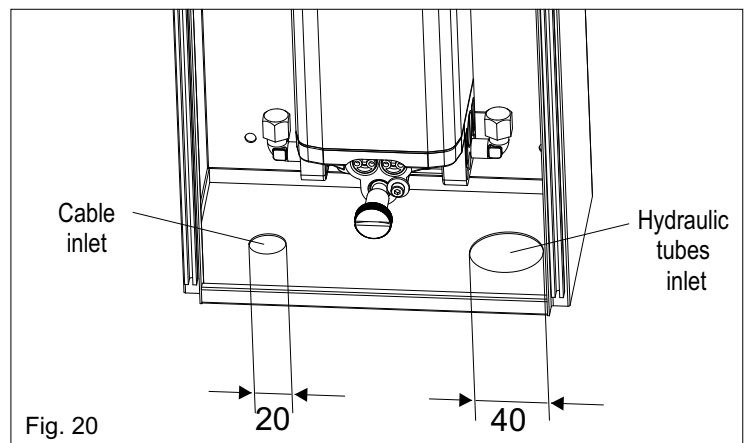


Fig. 20

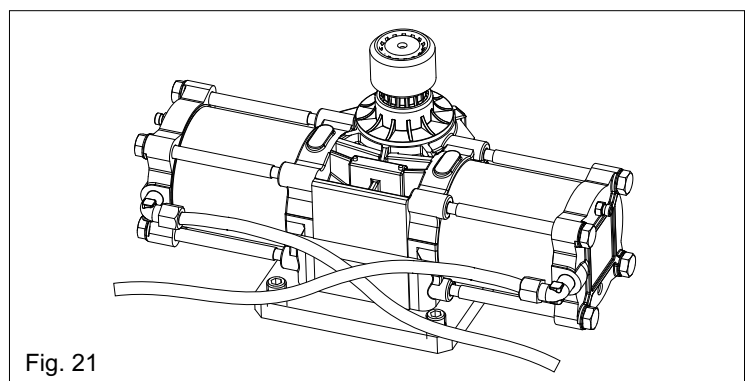


Fig. 21



SEA®

Sistemi Elettronici
di Apertura Porte e Cancelli
International registered trademark n. 804888



ENGLISH

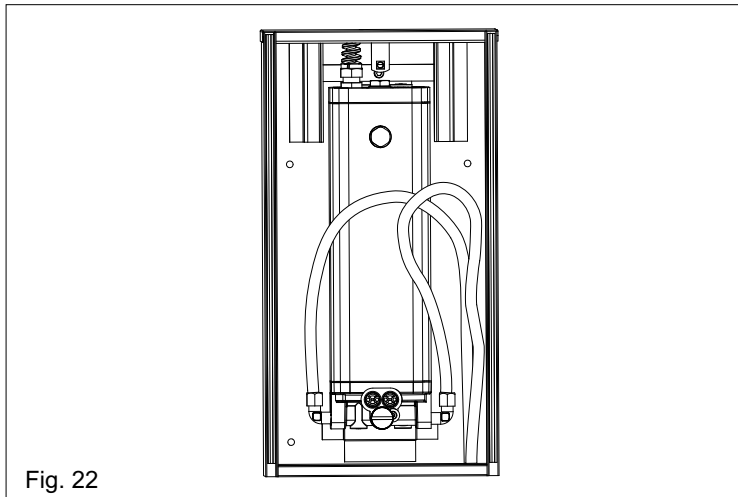


Fig. 22

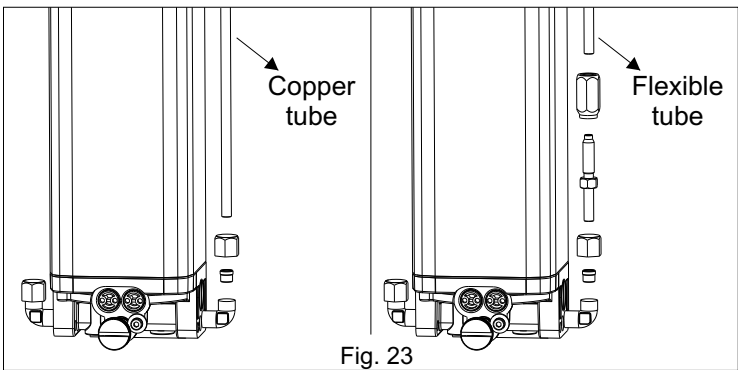


Fig. 23

6. BLEED CAP REPLACEMENT (Fig.24)

Remove the red cap and replace it with the supplied black one after startup.

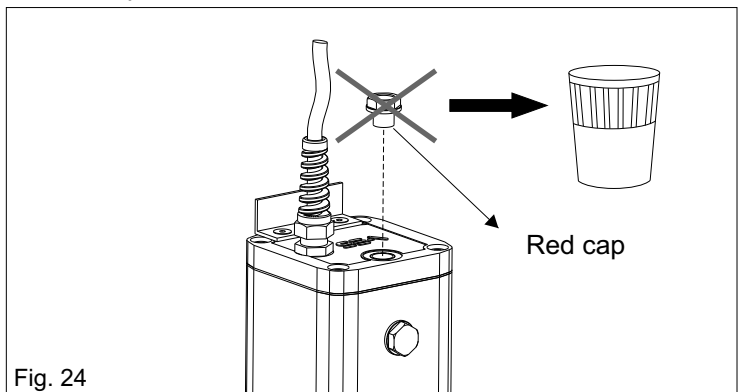


Fig. 24

7. FORCE ADJUSTMENT

If necessary the thrust force of the leaf can be adjusted by the two adjusting screws (grey and yellow) placed on the front lower place of the hydraulic pump unit (Fig. 25).

*The operator is adjusted at 15 Kg force ex works so to guarantee the anti-crush safety.

We recommend to adjust it only in case of necessity.

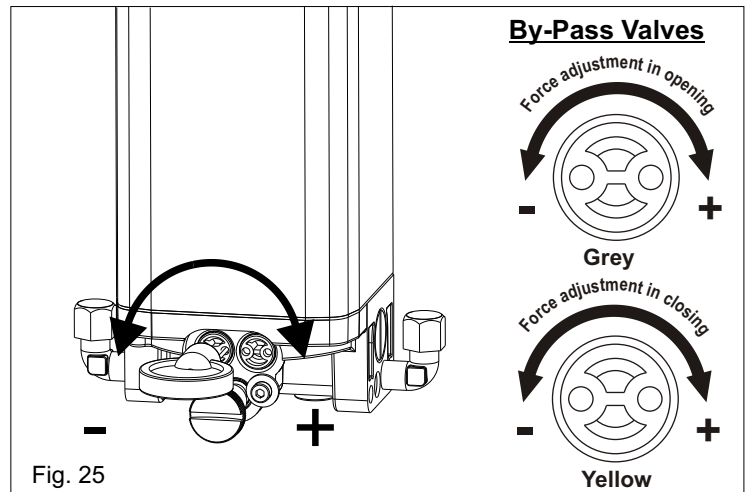


Fig. 25

8. BRAKING REGULATION (where present)

8.1. It is possible to regulate the leaf slowdown in opening and in closing, through the braking adjusting screw (Fig. 26).

8.2. To regulate slowdown operate as follow:

- Loosen the blocking screw of braking regulation;
- Act on the adjusting screw clockwise to have a higher braking and a speed decrease;
- Act on the adjusting screw anti-clockwise to have a lower braking and a speed increase;
- After the regulation fix the blocking screw of braking regulation.

On the operators with hydraulic slow down it is present only during the last 15° of rotation.

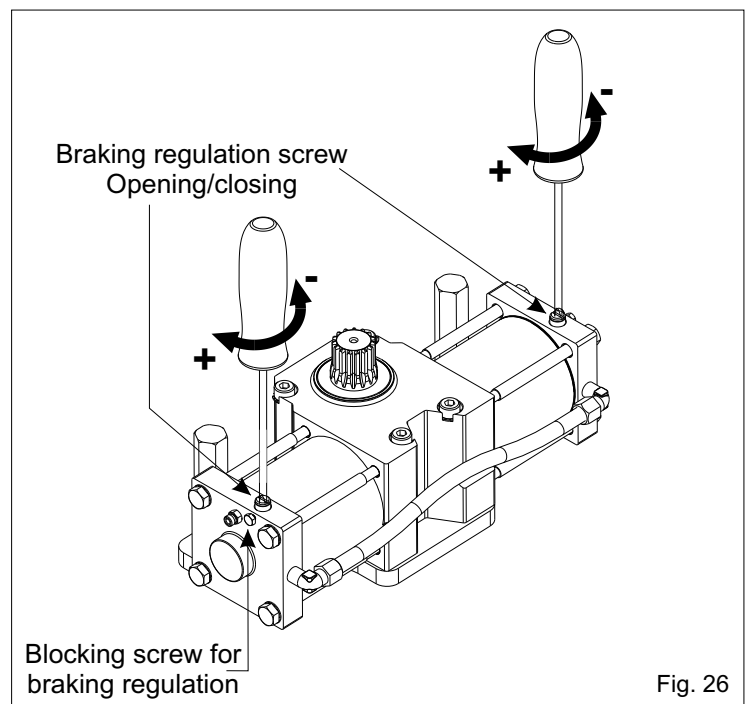


Fig. 26

9. BLEEDING OPERATION

During the connection phase between hydraulic unit and jack, air will inevitably enter into the system and cause an irregular operation of the operator. The irregular operation shows by an abnormal movement of the leaf and excessive noise during operation. To solve this problem it is necessary to proceed as follows:



SEA®

Sistemi Elettronici
di Apertura Porte e Cancelli
International registered trademark n. 804888

CE

ENGLISH

- a) command opening of the gate;
- b) during opening of the gate, loosen the air bleed screw related to opening (Fig.28-rif.A);
- c) release any air from the hydraulic circuit until non-emulsified oil appears;
- d) tighten the air bleed screw before the operator completes the opening cycle;
- e) command closing of the gate;
- f) during closing of the gate, loosen the air bleed screw related to closing (Fig.28-rif.B);
- g) release any air from the hydraulic circuit until non-emulsified oil appears;
- h) tighten the air bleed screw before the operator completes the closing cycle.

It is recommended to repeat this operation on both air bleed screws at intervals of 2/3 opening and closing cycles.

- i) Replace the oil from the oil filler cap. Any top-ups should be performed only with oil SEA 0x29 (supplied).

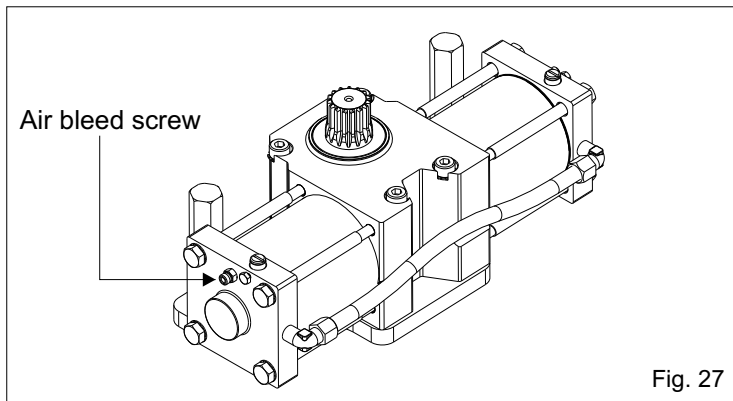


Fig. 27

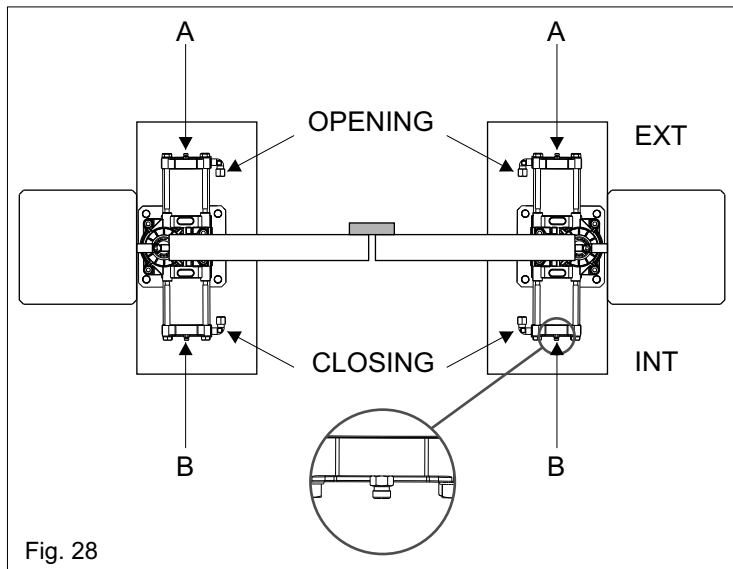


Fig. 28

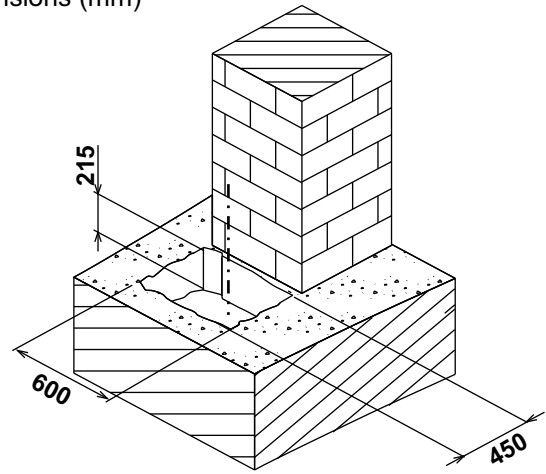
10. CARRYING BOX INSTALLATION

10.1. The hole which contains the carrying box must have the approximate dimensions mentioned in Fig. 29.

For a correct placing, it is obligatory to follow closely the quote of 55 mm which corresponds to the minimum distance of the rotation axis from the pillar.

Dimensions (mm)

Fig. 29



10.2. Inside the excavated pit you have to plan:

- **rain water drainage;**

- a water waste pipe in flexible plastic of about 40 mm of diameter to put inside the provided hole of the box before it is concreted (Fig. 30). **It must be brought to the drain of the sewer line;**

- a sheath of about 32 mm diameters for the passage of hydraulic tubes must be brought to the proximity of the hydraulic unit box (Fig. 30).

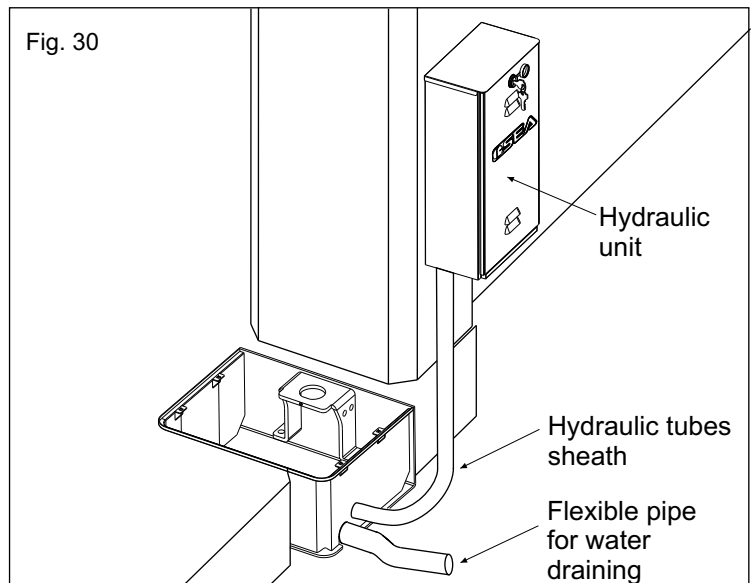


Fig. 30

10.3. Before concreting the carrying box, use a level to make it perfectly horizontal to the ground (Fig. 31) and perpendicular to the axis of the gate (Fig. 32).

The axis of the upper hinge of the gate must correspond exactly to the axis of the carrying box shaft.

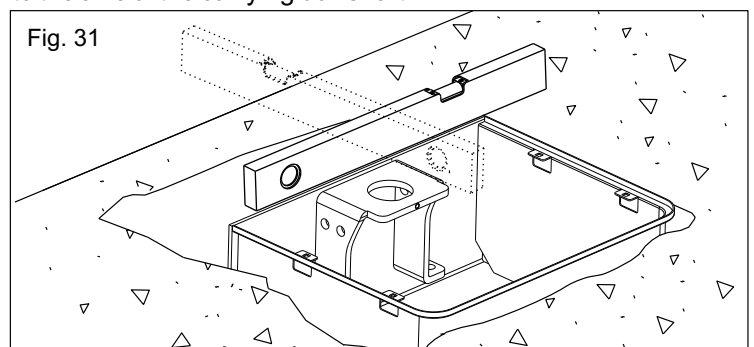


Fig. 31



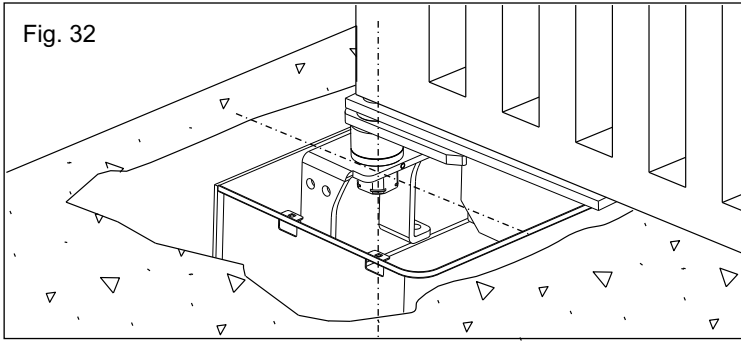
SEA®

Sistemi Elettronici
di Apertura Porte e Cancelli
International registered trademark n. 804888

CE

ENGLISH

Fig. 32



10.4. Introduce the buckle of creeping in the box and fix it with the special screws (Fig. 33).

10.5. Insert the units as in Fig. 33.

N.B.: During the insertion of the units lubricate them with the supplied grease.

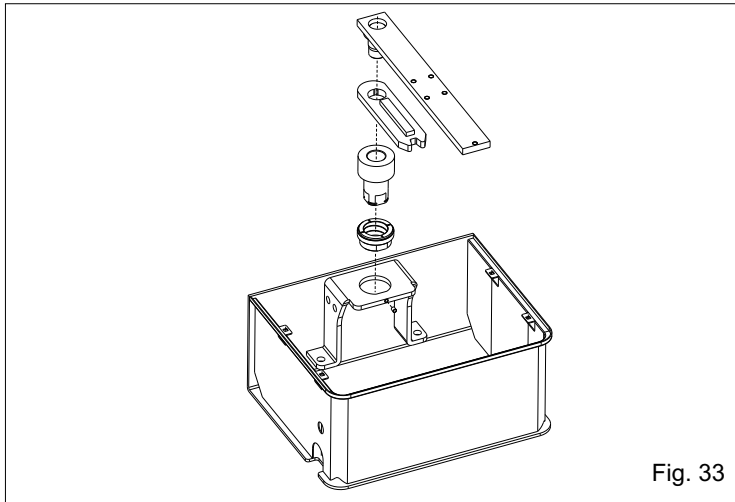


Fig. 33

11. LEAF ASSEMBLING ON CARRYING BOX

Before installing the gate make sure that the concrete has hardened into the foundation hole.

11.1. Position the leaf of the gate on the leaf device making reference to the rotation axe of the leaf hinge (Fig. 34);

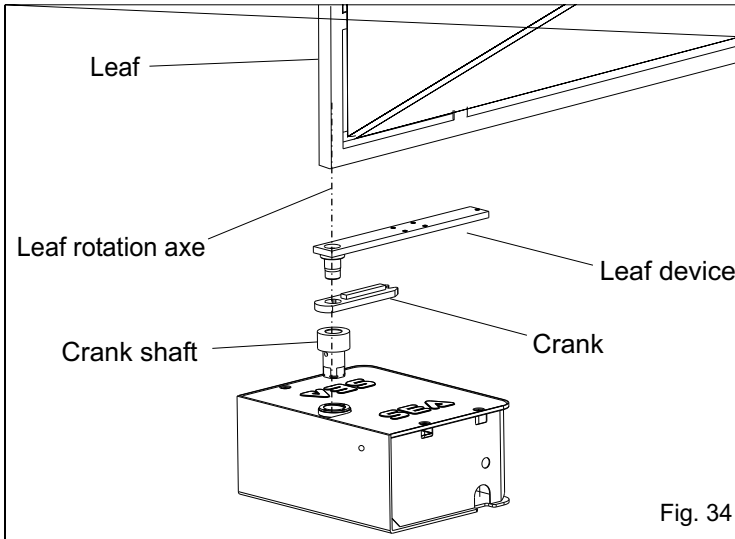
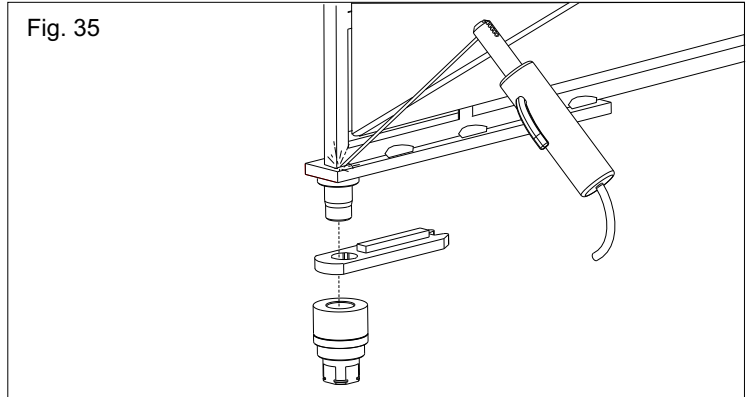


Fig. 34

11.2. Weld with care the leaf device to the leaf of the gate realizing a tract fixation of ca. 3-4 cm along the surface of the contact, avoiding the welding next to the threaded holes,

furthermore it is necessary to respect the perpendicularity to the axe of rotation (Fig. 35)

Fig. 35



11.3. Be careful not to place the leaf outside the axis (Fig. 16 and 17), but make sure the shaft corresponds to the hinge rotation axis remembering that the minimum distance from the pillar is 55 mm (Fig. 37).

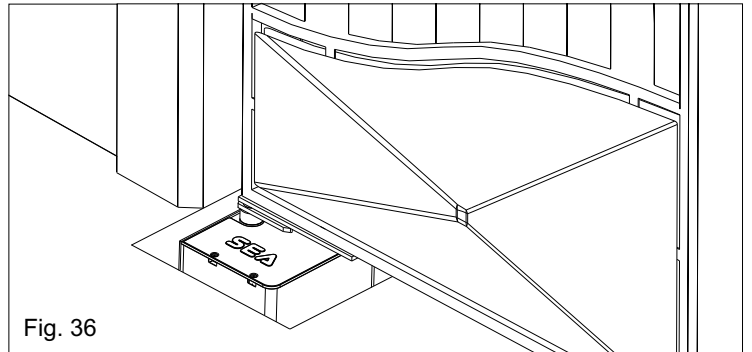


Fig. 36

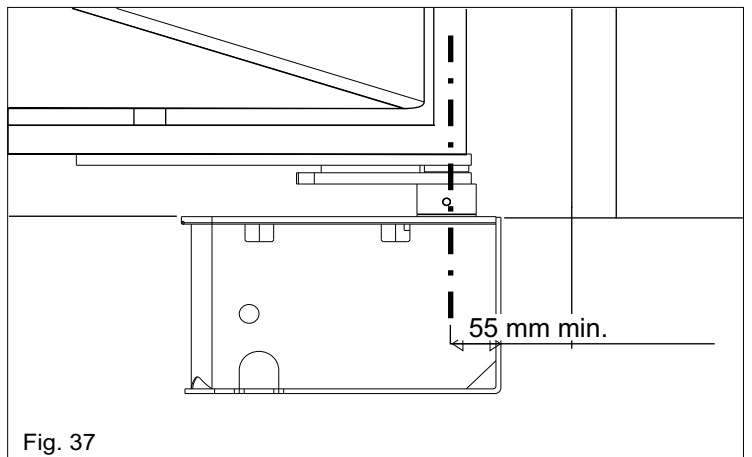


Fig. 37



SEA®

Sistemi Elettronici
di Apertura Porte e Cancelli
International registered trademark n. 804888

CE

ENGLISH

12. INSTALLATION OF THE OPERATOR IN THE CARRYING BOX

12.1. Insert manually the operator into the carrying box (Fig. 38) also insert the splined shaft of the operator into the splined bush of the box and fix the operator with the special screws as in Fig.40.

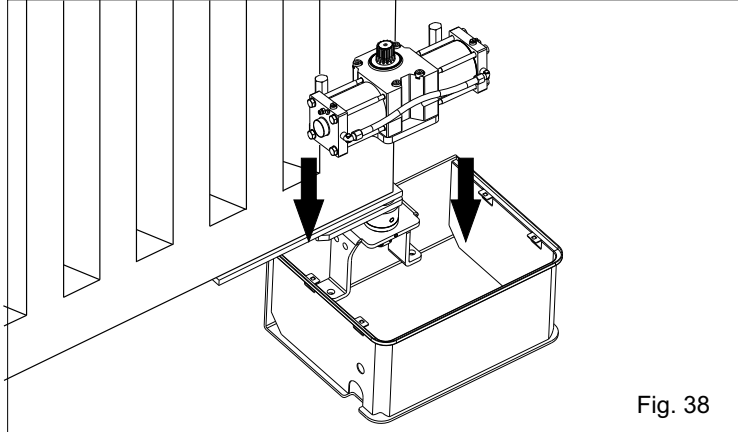


Fig. 38

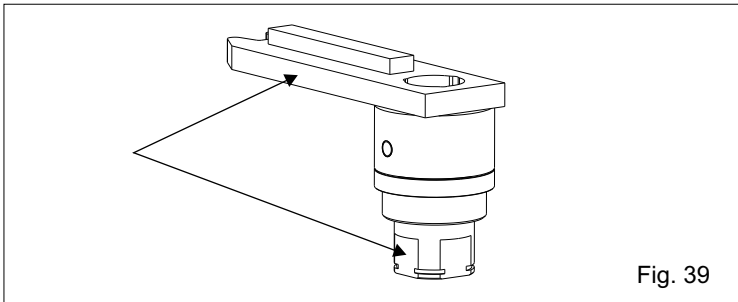


Fig. 39

N.B.: It is advisable to weld the crank with the crank shaft after having also installed the Jack, to use the whole available run and the point of beginning of the desired slowdown (version with hydraulic slowdown).

Before welding, make sure that one of the level of the crank shaft corresponds with a side of the crank (see fig.39 and 40) to guarantee the maximum angle with the mechanical stops Kit.

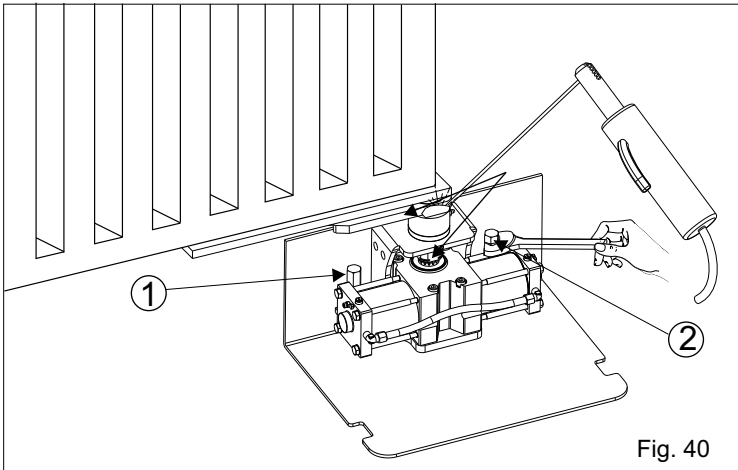


Fig. 40

N.B.: If the Jack is not installed immediately but in a second time, it is recommended to weld the crank shaft and the crank during the installation of the Jack.

12.1. Connect the hydraulic tubes with the hydraulic unit and the jack (Fig.21, Fig.22, Fig.23).

After the installation of the above mentioned carrying box, of the gate and the operator, try to move the gate slowly by hand verifying that there are no irregular frictions and that the movement is uniform for the whole range.

Notice: To do this last operation, release the operator as described in the related paragraph.

13. RELEASE MOUNTING

For the Jack are foreseen two types of release:
RELEASE (with personalised key) and **RELEASE PLUS** (with DIN key).

RELEASE

13.1. Grease the hinge (A) and mount the release system under the leaf device using the 4 furnished screws (Fig. 41)

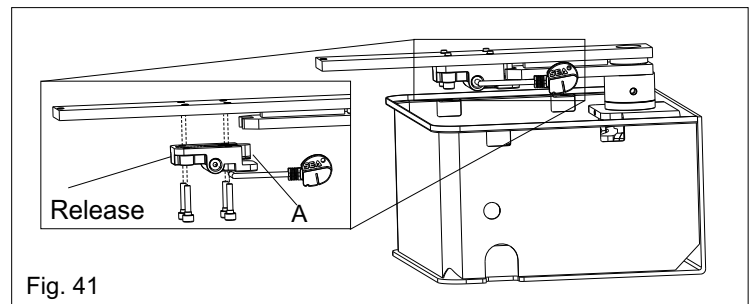


Fig. 41

RELEASE PLUS

13.2. Grease the hinge (A) and mount the release system under the leaf device using the 5 furnished screws (Fig. 42).

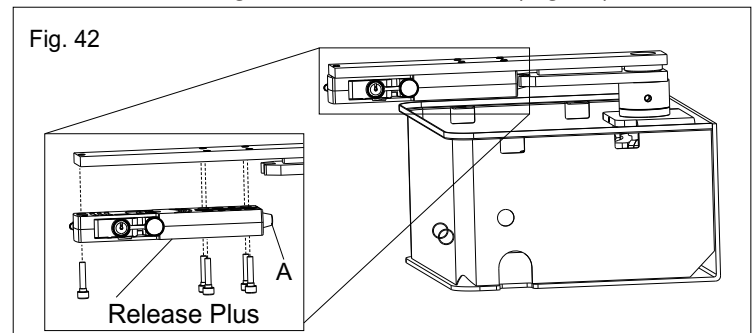


Fig. 42

Carry out the electrical connections to the control unit as described in the instructions supplied with SEA control unit.

14. ADJUSTABLE MECHANICAL STOPS

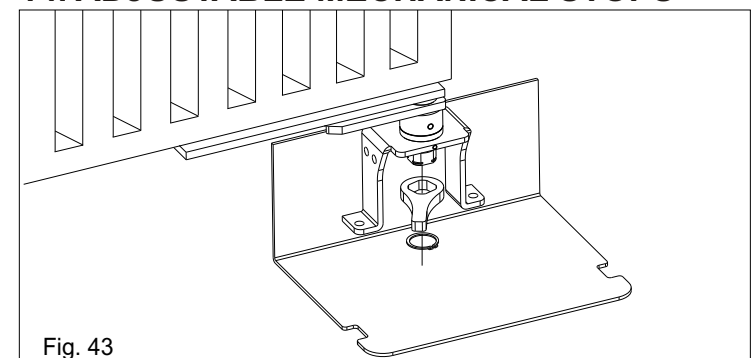


Fig. 43



SEA®

Sistemi Elettronici
di Apertura Porte e Cancelli
International registered trademark n. 804888

CE

ENGLISH

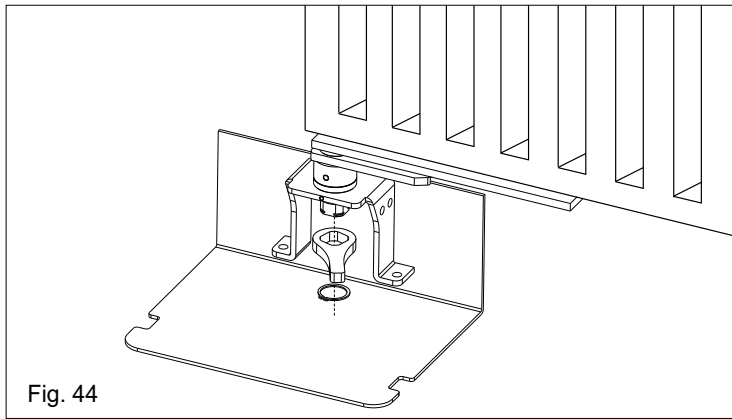


Fig. 44

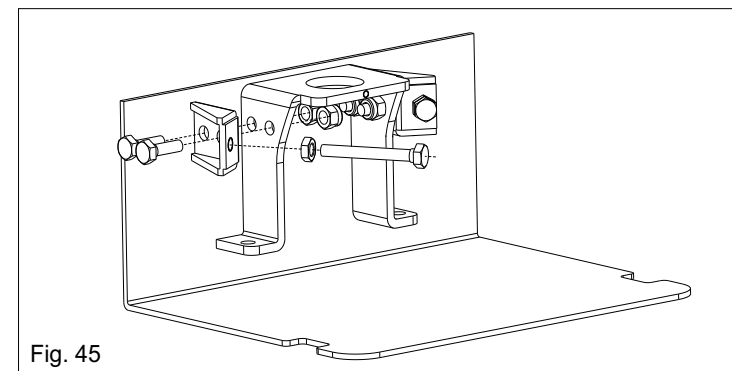


Fig. 45

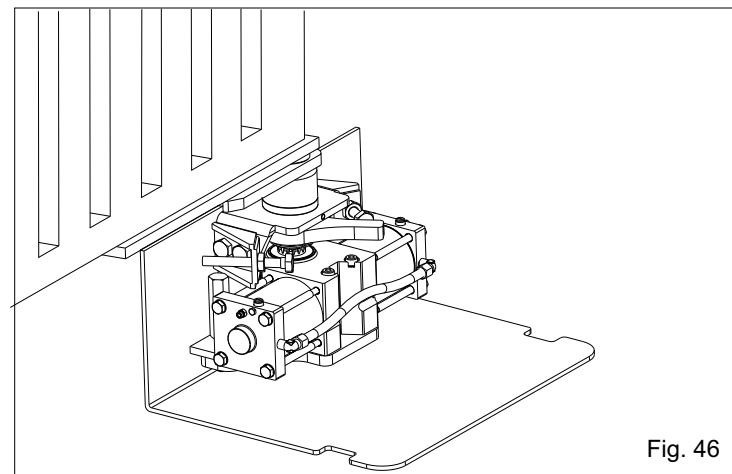


Fig. 46

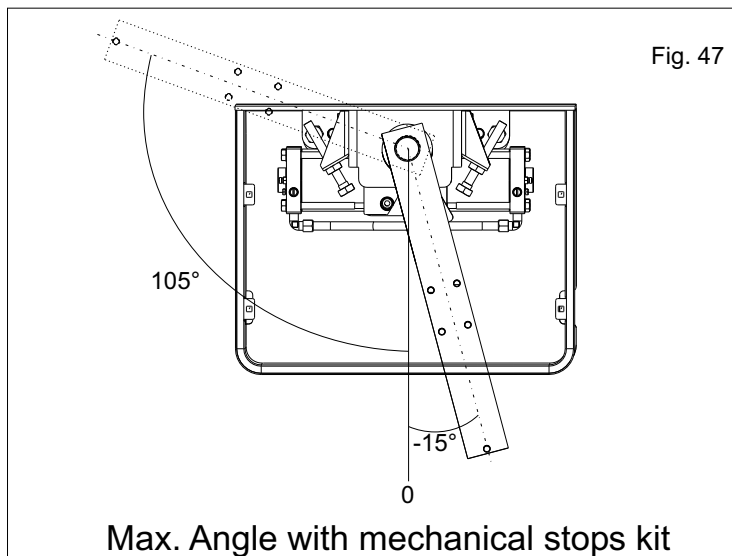
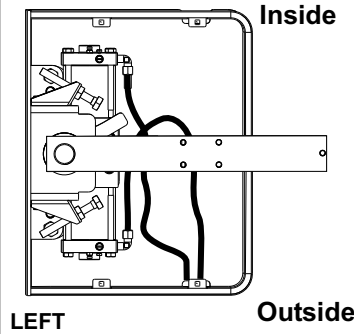


Fig. 47

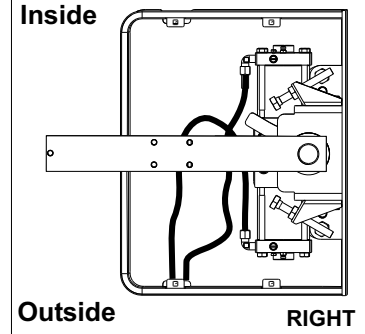
Max. Angle with mechanical stops kit

Fig. 48



LEFT

Fig. 48



RIGHT

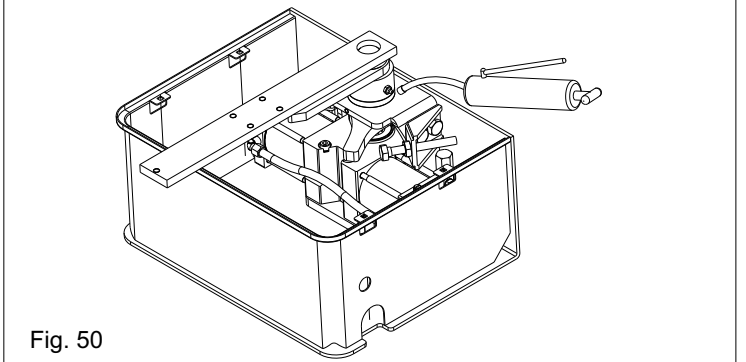
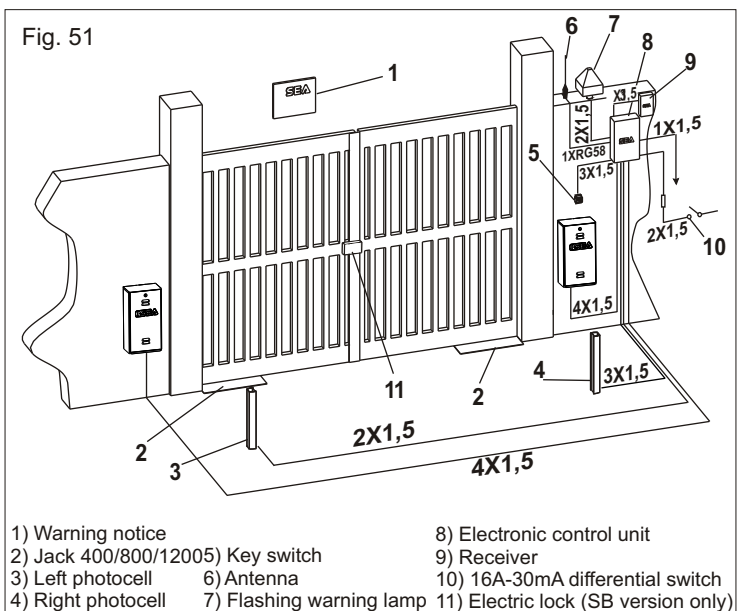


Fig. 50

When putting in function the installation it is peremptory to lubricate the box as in Fig. 50 until the grease comes out. (Use grease type DIN 51502 KP 2 N-20 - K 2 K-20).

15. CABLE LAYOUT (Fig. 51)



- | | |
|-------------------------------------|----------------------------------|
| 1) Warning notice | 8) Electronic control unit |
| 2) Jack 400/800/12005) Key switch | 9) Receiver |
| 3) Left photocell | 6) Antenna |
| 4) Right photocell | 7) Flashing warning lamp |
| 11) Electric lock (SB version only) | 10) 16A-30mA differential switch |

16. RISK EXAMINATION

The points pointed by arrows in Fig. 52 are potentially dangerous. The installer must take a thorough risk examination to prevent crushing, conveying, cutting, grappling, trapping so as to guarantee a safe installation for people, things and animals (Re. Laws in force in the country where installation has been made).



SEA®

Sistemi Elettronici
di Apertura Porte e Cancelli
International registered trademark n. 804888

CE

ENGLISH

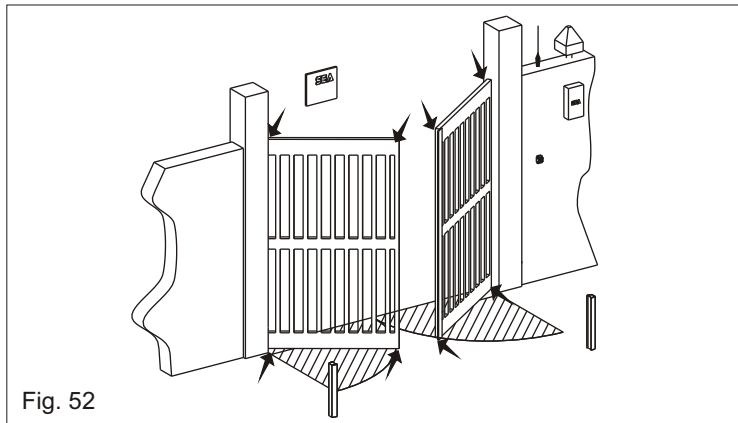


Fig. 52

SEA can not be deemed responsible for any damage or accident caused by product breaking, being damages or accidents due to a failure to comply with the instructions herein. Read the general instructions attentively.

SAFETY GATE

For a correct and safe installation it is strongly recommended to install a Safety Gate, **which allows the fulfilment of the force diagram included in the norm EN 12453** and consequently the test and start of the whole installation.

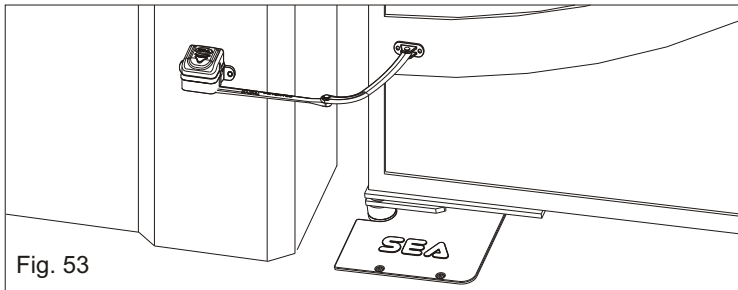
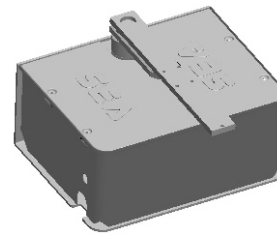


Fig. 53

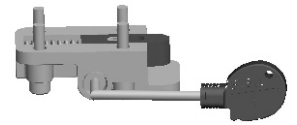
17. PERIODICAL MAINTENANCE

Check the oil level (Trasparent cap n.14 in Fig. 3)	Annual
Change the oil	4 years
Verify the functionality of the by-pass valves (check the force in opening and closing)	Annual
Check the release function	Annual
Verify the slowdown regulation (where present)	Annual
Check the correct drain of the rainwater	Annual
Check the integrity of the connection cables	Annual
Grease all the moving parts	Annual
Grease the rotation axis of the box as in Fig.50	Annual

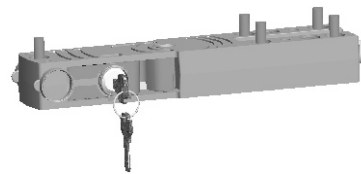
18. ACCESSORIES FOR JACK



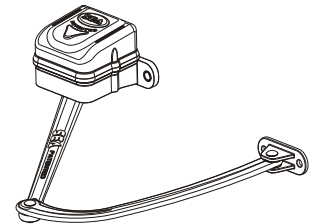
CARRYING BOX INOX



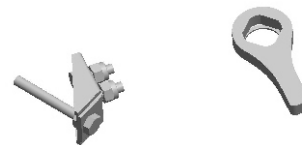
RELEASE



RELEASE PLUS



SAFETY GATE



KIT MECHANICAL STOP

SAFETY PRECAUTIONS:

All electrical work should conform to current regulations. A 16 A 0,030 A differential switch must be incorporated into the source of the operators main electrical supply and the entire system properly earth bonded. Always run mains carrying cables in separate ducts to low voltage control cables to prevent mains interference.

SPARE PARTS:

To obtain spare parts contact:

SEA S.p.A. - Zona Ind.le, 64020 S. ATTO Teramo Italia

SEA reserves the right to do changes or variations that may be necessary to its products with no obligation to notice.



SEA®

Sistemi Elettronici
di Apertura Porte e Cancelli
International registered trademark n. 804888

CE

ENGLISH

To the attention of users and technicians

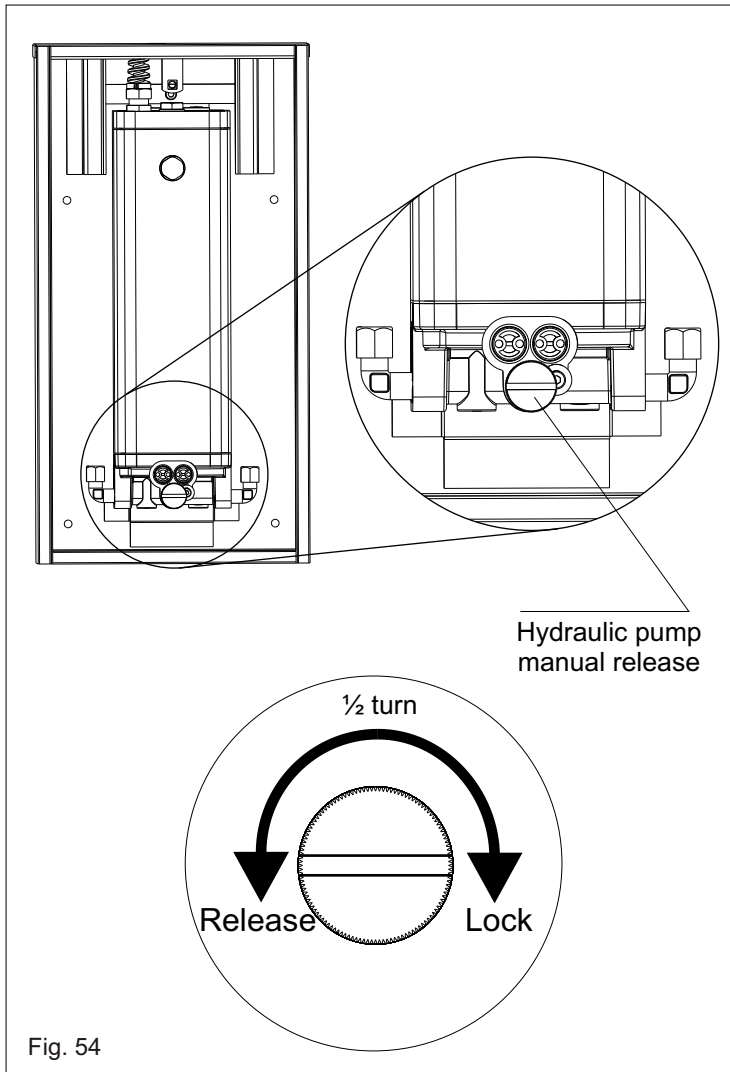
19. HYDRAULIC UNIT RELEASE SYSTEM

19.1. To release do as follows:

- Open the door with the delivered special key.
- Turn the release screw, placed on the hydraulic unit, about 90° into anti-clockwise direction.
- Move the beam with the hand.

19.2. To re-lock do as follows:

- Turn the release screw, placed on the hydraulic unit, about 90° into clockwise direction
- Close the door.



20. RELEASE SYSTEM OF THE LEAVES

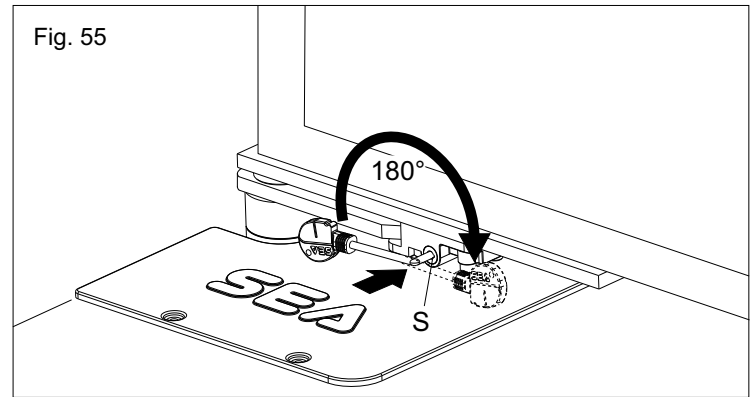
RELEASE

20.1. To release act as follows:

- Insert the enclosed key into the keyhole (S) and turn the handle about 180° against the centre of the gate (Fig. 55).
- Keep the key locked and move the leaf, now turn back the key to the normal position and extract it.

20.2. To stop again act as follows:

- Move the leaf until the lock has coupled again.



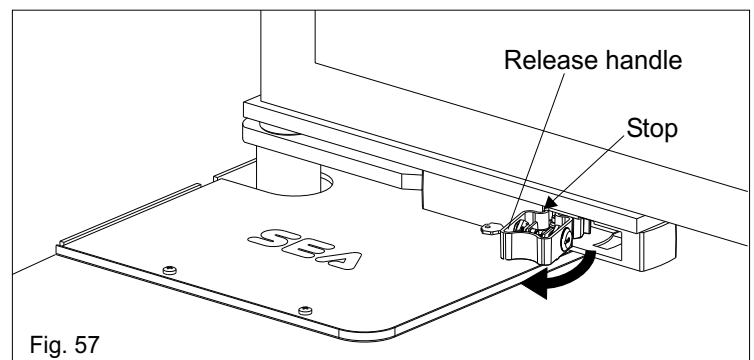
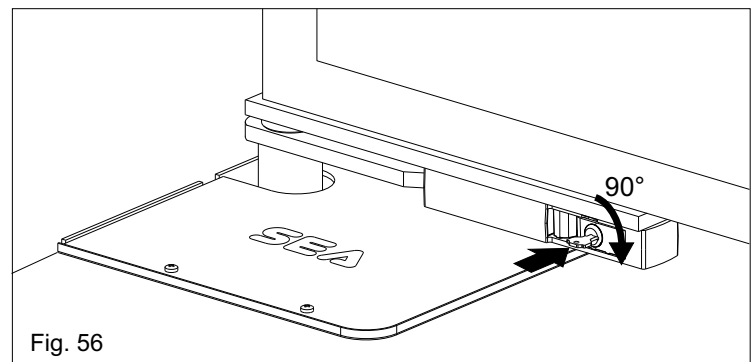
RELEASE PLUS

20.3. To release act as follows:

- Insert the enclosed key into the keyhole and turn it about 90° in clockwise direction (Fig. 56).
- Pull the key against the external of the release making come out the handle of the lock until it reaches the stop (Fig. 57).
- Move the leaf and make return the handle of the release in its original position and extract the key.

21.4. To stop again act as follows:

- Move the leaf until the lock has coupled again.





CONDIZIONI DI VENDITA

EFFICACIA DELLE PRESENTI CONDIZIONI GENERALI DI VENDITA: Le presenti condizioni generali di vendita si applicano a tutti gli ordini indirizzati a SEA S.p.A. Tutte le vendite fatte da SEA ai clienti sono regolate secondo le presenti condizioni di vendita che costituiscono parte integrante del contratto di vendita ed annullano ogni clausola contraria o pattuizioni particolari presenti nell'ordine o in altro documento proveniente dall'acquirente (cliente)

AVVERTENZE GENERALI Gli impianti di automazioni porte e cancelli vanno realizzati esclusivamente con componenti SEA, salvo accordi specifici. L'inosservanza delle norme di sicurezza vigenti (Norm. EUROPEE EN 12453 - EN 12445 e altro) e di buona tecnica esclude la SEA da ogni responsabilità. La SEA non risponde del mancato rispetto della corretta e sicura installazione secondo le norme.

1) PROPOSTA D'ORDINE La proposta d'ordine si intenderà accettata solo dopo la sua approvazione da parte della SEA. Conseguenza della sua sottoscrizione, l'acquirente sarà vincolato alla stipula di un contratto d'acquisto, secondo quanto contenuto nella stessa proposta d'ordine e nelle presenti condizioni di vendita. Viceversa, la mancata comunicazione all'acquirente dell'approvazione della proposta d'ordine, non comporta la sua automatica accettazione da parte della SEA

2) VALIDITÀ OFFERTA Le offerte proposte dalla SEA o dalla sua struttura commerciale periferica, avranno una validità di 30 giorni solari, salvo diversa comunicazione in merito.

3) PREZZI I prezzi della proposta d'ordine sono quelli del listino in vigore alla data della redazione della stessa. Gli sconti applicati dalla struttura commerciale periferica della SEA si intenderanno validi solo dopo la loro accettazione da parte della SEA. I prezzi si intendono per merce resa franco ns. stabilimento in Teramo, esclusi IVA ed imballaggi speciali. La SEA si riserva il diritto di modificare in qualsiasi momento il listino, dando opportuno preavviso alla rete di vendita. Le condizioni speciali riservate agli acquisti con formula agevolata Qx, Qx1, Qx2, Qx3 sono riservate ai distributori ufficiali dietro accettazione scritta da parte della direzione SEA.

4) PAGAMENTI Le forme di pagamento ammesse sono quelle comunicate o accettate di volta in volta dalla SEA. Il tasso di interesse sul ritardo da pagamento è del 1,5% mensile e comunque non oltre il tasso massimo legalmente consentito.

5) CONSEGNA La consegna avverrà indicativamente ma non tassativamente entro 30 giorni lavorativi dalla data di ricezione dell'ordine, salvo diverse comunicazioni in merito. Il trasporto degli articoli venduti sarà effettuato a spese ed a rischio dell'acquirente. La SEA si libera dall'obbligo della consegna rimettendo la merce al vettore, sia esso scelto dalla SEA oppure dall'acquirente. Eventuali smarrimenti e/o danneggiamenti della merce dovuti al trasporto, sono a carico dell'acquirente.

6) RECLAMI Eventuali reclami e/o contestazioni dovranno pervenire alla SEA entro 8 giorni solari dalla ricezione della merce, supportati da idonei documenti provanti la loro veridicità.

7) FORNITURA L'ordine in oggetto viene assunto da SEA senza alcun impegno e subordinatamente alle possibilità di approvvigionamento delle materie prime occorrenti alla produzione; eventuali mancate esecuzioni totali o parziali non possono dar luogo a reclami e riserve per danni. La fornitura SEA è strettamente limitata alla sola merce di sua produzione, esclusi il montaggio, l'installazione ed il collaudo. La SEA declina pertanto ogni responsabilità per danni che dovessero derivare, anche a terzi, dall'inosservanza delle norme di sicurezza e della buona regola d'arte nelle fasi dell'installazione e dell'impiego dei prodotti venduti.

8) GARANZIA La garanzia minima è di 12 mesi e può essere estesa, come di seguito, in caso di riconsegna del certificato di garanzia.

SILVER: Le parti meccaniche degli operatori rientranti in tale categoria sono garantite per 24 mesi dalla data di fabbricazione riportata sull'operatore.

GOLD: Le parti meccaniche degli operatori rientranti in tale categoria sono garantite per 36 mesi dalla data di fabbricazione riportata sull'operatore.

PLATINUM: Le parti meccaniche degli operatori rientranti in tale categoria sono garantite per 36 mesi dalla data di fabbricazione riportata sull'operatore. La garanzia di base (36 mesi) sarà estesa per ulteriori 24 mesi (fino ad un totale di 60 mesi) qualora venga acquistato il certificato di garanzie che dovrà essere compilato e rispedito alla SEA S.p.A. entro 60 giorni dall'acquisto. L'elettronica e le centrali di comando sono garantite per 24 mesi dalla data di fabbricazione. Nell'eventualità di difettosità del prodotto, la SEA si impegna alla sua sostituzione gratuita oppure alla sua riparazione, previa restituzione al proprio centro di riparazione. La definizione di stato di garanzia è ad insindacabile giudizio della SEA. I pezzi sostitutivi restano di proprietà della SEA. In modo vincolante, il materiale dell'acquirente ritenuto in garanzia deve essere spedito al centro di riparazione della SEA in porto franco e sarà rispedito dalla SEA in porto assegnato. La garanzia non si estende alla manodopera eventualmente accorsa. I difetti riconosciuti non produrranno alcuna responsabilità e/o richiesta di danni, di qualsiasi natura essi siano, da parte dell'acquirente nei riguardi della SEA. La garanzia non è in ogni caso riconosciuta qualora sia stata apportata alla merce qualsivoglia modifica, oppure vi sia stato un uso improprio, oppure si sia in presenza di una qualsivoglia sua manomissione o di un montaggio non corretto, oppure se sia stata rimossa l'etichetta apposta dal produttore comprensiva del marchio SEA registrato n° 804888. La garanzia non è inoltre valida nel caso la merce SEA sia stata in parte o in toto accoppiata a componenti meccanici e/o elettronici non originali, ed in particolare in assenza di una specifica autorizzazione in merito, ed inoltre nel caso in cui l'acquirente non sia in regola con i pagamenti. La garanzia non comprende danni derivati dal trasporto, materiale di consumo, avarie dovute al mancato rispetto delle specifiche prestazionali dei prodotti indicate nel listino. Non è riconosciuto alcun indennizzo durante il tempo di riparazione e/o sostituzione della merce in garanzia. La SEA declina ogni responsabilità per danni a cose o persone derivanti dall'inosservanza delle norme di sicurezza e della non conforme installazione o dall'impiego errato dei prodotti venduti. La riparazione dei prodotti in garanzia e fuori garanzia è subordinata al rispetto delle procedure comunicate da SEA.

9) RISERVATO DOMINIO Sulla merce venduta è valida la clausola del riservato dominio, della quale la SEA deciderà autonomamente se avvalersi o meno, in virtù della quale l'acquirente acquisisce la proprietà della merce, solo dopo che il suo pagamento sia stato completamente effettuato.

10) FORO COMPETENTE Per qualsiasi controversia avente per oggetto l'applicazione di questo contratto, viene eletto competente il Foro di Teramo. La lingua valida nell'interpretazione di cataloghi, manuali di installazione, condizioni di vendita o altro è quella italiana. La SEA si riserva la facoltà di apportare modifiche tecniche atte a migliorare i propri prodotti, presenti o meno in questo Listino, in qualsiasi momento senza preavviso. La SEA declina ogni responsabilità derivante da possibili inesattezze contenute nel presente listino, derivanti da errori di stampa e/o trascrizione. Il presente Listino annulla e sostituisce quelli precedenti. L'acquirente ai sensi della legge 196/2003 (codice privacy) acconsente all'inserimento dei propri dati personali derivanti dal presente contratto negli archivi informatici e cartacei della SEA S.p.A. al loro trattamento per motivi commerciali ed amministrativi.

Diritti di proprietà industriale: il cliente, con l'acquisto, accetta le presenti condizioni di vendita e riconosce in capo a SEA la titolarità esclusiva del marchio internazionale SEA registrato n. 804888 apposto sulle etichette dei prodotti e/o sui manuali e/o su ogni altra documentazione, e si impegna ad utilizzare il medesimo nella propria attività di rivendita e/o installazione secondo modalità che non ne riducano in alcun modo i diritti, a non rimuovere, sostituire o alterare marchi o altri segni distintivi di qualsiasi genere apposti ai prodotti.

E' vietata ogni forma di riproduzione o utilizzo del marchio SEA e di ogni altro segno distintivo presente sui prodotti, salvo autorizzazione scritta di SEA S.p.A..

Agli effetti dell'articolo 1341 del C.C. si approvano specificatamente per iscritto le clausole di cui ai numeri:

4) PAGAMENTI - 8) GARANZIA - 10) FORO COMPETENTE



TERMS OF SALES

EFFICACY OF THE FOLLOWING TERMS OF SALE: the following general terms of sale shall be applied to all orders sent to SEA S.p.A. All sales made by SEA to all costumers are made under the prescription of this terms of sales which are integral part of sale contract and cancel and substitute all apposed clauses or specific negotiations present in order document received from the buyer.

GENERAL NOTICE The systems must be assembled exclusively with SEA components, unless specific agreements apply. Non-compliance with the applicable safety standards (European Standards EM12453 – EM 12445) and with good installation practice releases SEA from any responsibilities. SEA shall not be held responsible for any failure to execute a correct and safe installation under the above mentioned standards.

1) PROPOSED ORDER The proposed order shall be accepted only prior SEA approval of it. By signing the proposed order, the Buyer shall be bound to enter a purchase agreement, according to the specifications stated in the proposed order.

On the other hand, failure to notify the Buyer of said approval must not be construed as automatic acceptance on the part of SEA.

2) PERIOD OF THE OFFER The offer proposed by SEA or by its branch sales department shall be valid for 30 solar days, unless otherwise notified.

3) PRICING The prices in the proposed order are quoted from the Price List which is valid on the date the order was issued. The discounts granted by the branch sales department of SEA shall apply only prior to acceptance on the part of SEA. The prices are for merchandise delivered ex-works from the SEA establishment in Teramo, not including VAT and special packaging. SEA reserves the right to change at any time this price list, providing timely notice to the sales network. The special sales conditions with extra discount on quantity basis (Qx, Qx1, Qx2, Qx3 formula) is reserved to official distributors under SEA management written agreement.

4) PAYMENTS The accepted forms of payment are each time notified or approved by SEA. The interest rate on delay in payment shall be 1.5% every month but anyway shall not be higher than the max. interest rate legally permitted.

5) DELIVERY Delivery shall take place, approximately and not peremptorily, within 30 working days from the date of receipt of the order, unless otherwise notified. Transport of the goods sold shall be at Buyer's cost and risk. SEA shall not bear the costs of delivery giving the goods to the carrier, as chosen either by SEA or by the Buyer. Any loss and/or damage of the goods during transport, are at Buyer's cost.

6) COMPLAINTS Any complaints and/or claims shall be sent to SEA within 8 solar days from receipt of the goods, proved by adequate supporting documents as to their truthfulness.

7) SUPPLY The concerning order will be accepted by SEA without any engagement and subordinately to the possibility to get it's supplies of raw material which is necessary for the production; Eventual completely or partially unsuccessful executions cannot be reason for complains or reservations for damage. SEA supply is strictly limited to the goods of its manufacturing, not including assembly, installation and testing. SEA, therefore, disclaims any responsibility for damage deriving, also to third parties, from non-compliance of safety standards and good practice during installation and use of the purchased products.

8) WARRANTY The standard warranty period is 12 months. This warranty time can be extended by means of expedition of the warranty coupon as follows:

SILVER: The mechanical components of the operators belonging to this line are guaranteed for 24 months from the date of manufacturing written on the operator.

GOLD: The mechanical components of the operators belonging to this line are guaranteed for 36 months from the date of manufacturing written on the operator.

PLATINUM: The mechanical components of the operators belonging to this line are guaranteed for 36 months from the date of manufacturing written on the operator. The base warranty (36 months) will be extended for further 24 months (up to a total of 60 months) when it is acquired the certificate of warranty which will be filled in and sent to SEA S.p.A. The electronic devices and the systems of command are guaranteed for 24 months from the date of manufacturing. In case of defective product, SEA undertakes to replace free of charge or to repair the goods provided that they are returned to SEA repair centre. The definition of warranty status is by unquestionable assessment of SEA. The replaced parts shall remain propriety of SEA. Binding upon the parties, the material held in warranty by the Buyer, must be sent back to SEA repair centre with fees prepaid, and shall be dispatched by SEA with carriage forward. The warranty shall not cover any required labour activities.

The recognized defects, whatever their nature, shall not produce any responsibility and/or damage claim on the part of the Buyer against SEA. The guarantee is in no case recognized if changes are made to the goods, or in the case of improper use, or in the case of tampering or improper assembly, or if the label affixed by the manufacturer has been removed including the SEA registered trademark No. 804888. Furthermore, the warranty shall not apply if SEA products are partly or completely coupled with non-original mechanical and/or electronic components, and in particular, without a specific relevant authorization, and if the Buyer is not making regular payments. The warranty shall not cover damage caused by transport, expendable material, faults due to non-conformity with performance specifications of the products shown in the price list. No indemnification is granted during repairing and/or replacing of the goods in warranty. SEA disclaims any responsibility for damage to objects and persons deriving from non-compliance with safety standards, installation instructions or use of sold goods. The repair of products under warranty and out of warranty is subject to compliance with the procedures notified by SEA.

9) RESERVED DOMAIN A clause of reserved domain applies to the sold goods; SEA shall decide autonomously whether to make use of it or not, whereby the Buyer purchases propriety of the goods only after full payment of the latter.

10) COMPETENT COURT OF LAW In case of disputes arising from the application of the agreement, the competent court of law is the tribunal of Teramo. SEA reserves the faculty to make technical changes to improve its own products, which are not in this price list at any moment and without notice. SEA declines any responsibility due to possible mistakes contained inside the present price list caused by printing and/or copying. The present price list cancels and substitutes the previous ones. The Buyer, according to the law No. 196/2003 (privacy code) consents to put his personal data, deriving from the present contract, in SEA archives and electronic files, and he also gives his consent to their treatment for commercial and administrative purposes.

Industrial ownership rights: once the Buyer has recognized that SEA has the exclusive legal ownership of the registered SEA brand num.804888 affixed on product labels and / or on manuals and / or on any other documentation, he will commit himself to use it in a way which does not reduce the value of these rights, he won't also remove, replace or modify brands or any other particularity from the products. Any kind of replication or use of SEA brand is forbidden as well as of any particularity on the products, unless preventive and expressed authorization by SEA.

In accomplishment with art. 1341 of the Italian Civil Law it will be approved expressly clauses under numbers:

4) PAYMENTS - 8) GUARANTEE - 10) COMPETENT COURT OF LOW



SEA®

Sistemi Elettronici
di Apertura Porte e Cancelli
International registered trademark n. 804888



Italiano AVVERTENZE GENERALI PER INSTALLATORE E UTENTE

1. Leggere attentamente le **Istruzioni di Montaggio** e le **Avvertenze Generali** prima di iniziare l'installazione del prodotto. Conservare la documentazione per consultazioni future
2. Non disperdere nell'ambiente i materiali di imballaggio del prodotto e/o circuiti
3. Questo prodotto è stato progettato e costruito esclusivamente per l'utilizzo indicato in questa documentazione. Qualsiasi altro utilizzo non espressamente indicato potrebbe pregiudicare l'integrità del prodotto e/o rappresentare fonte di pericolo. L'uso improprio è anche causa di cessazione della garanzia. La SEA S.p.A. declina qualsiasi responsabilità derivata dall'uso improprio o diverso da quello per cui l'automatismo è destinato.
4. I prodotti SEA sono conformi alle Direttive: Macchine (2006/42/CE e successive modifiche), Bassa Tensione (2006/95/CE e successive modifiche), Compatibilità Elettromagnetica (2004/108/CE e successive modifiche). L'installazione deve essere effettuata nell'osservanza delle norme EN 12453 e EN 12445.
5. Non installare l'apparecchio in atmosfera esplosiva.
6. SEA S.p.A. non è responsabile dell'inosservanza della Buona Tecnica nella costruzione delle chiusure da motorizzare, nonché delle deformazioni che dovessero verificarsi durante l'uso.
7. Prima di effettuare qualsiasi intervento sull'impianto, togliere l'alimentazione elettrica e scollegare le batterie. Verificare che l'impianto di terra sia realizzato a regola d'arte e collegarvi le parti metalliche della chiusura.
8. Per ogni impianto SEA S.p.A. consiglia l'utilizzo di almeno una segnalazione luminosa nonché di un cartello di segnalazione fissato adeguatamente sulla struttura dell'infisso.
9. SEA S.p.A. declina ogni responsabilità ai fini della sicurezza e del buon funzionamento della automazione, in caso vengano utilizzati componenti di altri produttori.
10. Per la manutenzione utilizzare esclusivamente parti originali SEA.
11. Non eseguire alcuna modifica sui componenti dell'automazione.
12. L'installatore deve fornire tutte le informazioni relative al funzionamento manuale del sistema in caso di emergenza e consegnare all'Utente utilizzatore dell'impianto il libretto d'avvertenze allegato al prodotto.
13. Non permettere ai bambini o persone di sostare nelle vicinanze del prodotto durante il funzionamento. L'applicazione non può essere utilizzata da bambini, da persone con ridotte capacità fisiche, mentali, sensoriali o da persone prive di esperienza o del necessario addestramento. Tenere inoltre fuori dalla portata dei bambini radiocomandi o qualsiasi altro datore di impulso, per evitare che l'automazione possa essere azionata involontariamente.
14. Il transito tra le ante deve avvenire solo a cancello completamente aperto.
15. Tutti gli interventi di manutenzione, riparazione o verifiche periodiche devono essere eseguiti da personale professionalmente qualificato. L'utente deve astenersi da qualsiasi tentativo di riparazione o d'intervento e deve rivolgersi esclusivamente a personale qualificato SEA. L'utente può eseguire solo la manovra manuale.
16. La lunghezza massima dei cavi di alimentazione fra centrale e motori non deve essere superiore a 10 m. Utilizzare cavi con sezione 2.5 mm². Utilizzare cablaggi con cavi in doppio isolamento (cavi con guaina) nelle immediate vicinanze dei morsetti specie per il cavo di alimentazione (230V). Inoltre è necessario mantenere adeguatamente lontani (almeno 2.5 mm in aria) i conduttori in bassa tensione (230V) dai conduttori in bassissima tensione di sicurezza (SELV) oppure utilizzare un'adeguata guaina che fornisca un isolamento supplementare avente uno spessore di almeno 1 mm.

English GENERAL NOTICE FOR THE INSTALLER AND THE USER

1. Read carefully these **Instructions** before beginning to install the product. Store these instructions for future reference
2. Don't waste product packaging materials and /or circuits.
3. This product was designed and built strictly for the use indicated in this documentation. Any other use, not expressly indicated here, could compromise the good condition/operation of the product and/or be a source of danger. SEA S.p.A. declines all liability caused by improper use or different use in respect to the intended one.
4. The mechanical parts must be comply with Directives: Machine Regulation 2006/42/CE and following adjustments), Low Tension (2006/95/CE), electromagnetic Consistency (2004/108/CE) Installation must be done respecting Directives: EN12453 and EN12445.
5. Do not install the equipment in an explosive atmosphere.
6. SEA S.p.A. is not responsible for failure to observe Good Techniques in the construction of the locking elements to motorize, or for any deformation that may occur during use.
7. Before attempting any job on the system, cut out electrical power and disconnect the batteries. Be sure that the earthing system is perfectly constructed, and connect it metal parts of the lock.
8. Use of the indicator-light is recommended for every system, as well as a warning sign well-fixed to the frame structure.
9. SEA S.p.A. declines all liability as concerns the automated system's security and efficiency, if components used, are not produced by SEAS.p.A..
10. For maintenance, strictly use original parts by SEA.
11. Do not modify in any way the components of the automated system.
12. The installer shall supply all information concerning system's manual functioning in case of emergency, and shall hand over to the user the warnings handbook supplied with the product.
13. Do not allow children or adults to stay near the product while it is operating. The application cannot be used by children, by people with reduced physical, mental or sensorial capacity, or by people without experience or necessary training. Keep remote controls or other pulse generators away from children, to prevent involuntary activation of the system.
14. Transit through the leaves is allowed only when the gate is fully open.
15. The User must not attempt to repair or to take direct action on the system and must solely contact qualified SEA personnel or SEA service centers. User can apply only the manual function of emergency.
16. The power cables maximum length between the central engine and motors should not be greater than 10 m. Use cables with 2,5 mm² section. Use double insulation cable (cable sheath) to the immediate vicinity of the terminals, in particular for the 230V cable. Keep an adequate distance (at least 2.5 mm in air), between the conductors in low voltage (230V) and the conductors in low voltage safety (SELV) or use an appropriate sheath that provides extra insulation having a thickness of 1 mm.

Français CONSIGNES POUR L'INSTALLATEUR ET L'UTILISATEUR

1. Lire attentivement les **instructions** avant d'installer le produit. Conserver les instructions en cas de besoin.
2. Ne pas dispenser dans l'environnement le matériel d'emballage du produit et/ou des circuits
4. Ce produit a été conçu et construit exclusivement pour l'usage indiqué dans cette fiche. Toute autre utilisation non expressément indiquée pourraient compromettre l'intégrité du produit et/ou représenter une source de danger. SEA S.p.A. décline toute responsabilités qui dériverait d'usage impropre ou différent de celui auquel l'automatisme est destiné. Une mauvaise utilisation cause la cessation de la garantie.
5. Les composants doivent répondre aux prescriptions des Normes: Machines (2006/42/CE et successifs changements); Basse Tension (2006/95/CE et successifs changements); EMC (2004/108/CE et successifs changements). L'installation doit être effectuée conformément aux Normes EN 12453 et EN 12445.
6. Ne pas installer l'appareil dans une atmosphère explosive.
7. SEA S.p.A. n'est pas responsable du non-respect de la Bonne Technique de construction des fermetures à motoriser, ni des déformations qui pourraient intervenir lors de l'utilisation.
8. Couper l'alimentation électrique et déconnecter la batterie avant toute intervention sur l'installation. Vérifier que la mise à terre est réalisée selon les règles de l'art et y connecter les pièces métalliques de la fermeture.
9. On recommande que toute installation soit doté au moins d'une signalisation lumineuse, d'un panneau de signalisation fixé, de manière appropriée, sur la structure de la fermeture.
10. SEA S.p.A. décline toute responsabilité quant à la sécurité et au bon fonctionnement de l'automatisme si les composants utilisés dans l'installation n'appartiennent pas à la production SEA.



11. Utiliser exclusivement, pour l'entretien, des pièces SEA originales.
12. Ne jamais modifier les composants d'automatisme.
13. L'installateur doit fournir toutes les informations relatives au fonctionnement manuel du système en cas d'urgence et remettre à l'Usager qui utilise l'installation les "Instructions pour l'Usager" fournies avec le produit.
14. Interdire aux enfants ou aux tiers de stationner près du produit durant le fonctionnement. Ne pas permettre aux enfants, aux personnes ayant des capacités physiques, mentales et sensorielles limitées ou dépourvues de l'expérience ou de la formation nécessaires d'utiliser l'application en question. Eloigner de la portée des enfants les radiocommandes ou tout autre générateur d'impulsions, pour éviter tout actionnement involontaire de l'automatisme.
15. Le transit entre les vantaux ne doit avoir lieu que lorsque le portail est complètement ouvert.
16. L'utilisateur doit s'abstenir de toute tentative de réparation ou d'intervention et doit s'adresser uniquement et exclusivement au personnel qualifié SEA ou aux centres d'assistance SEA. L'utilisateur doit garder la documentation de la réparation. L'utilisateur peut exécuter seulement la manœuvre manuel.
17. La longueur maximum des câbles d'alimentation entre la carte et les moteurs ne devrait pas être supérieure à 10 m. Utilisez des câbles avec une section de 2,5 mm². Utilisez des câblage avec câble à double isolation (avec gaine) jusqu'à proximité immédiate des terminaux, en particulier pour le câble d'alimentation (230V). Il est également nécessaire de maintenir une distance suffisante (au moins 2,5 mm dans l'air), entre les conducteurs en basse tension (230V) et les conducteurs de très basse tension de sécurité (SELV) ou utiliser une gaine ayant une épaisseur d'au moins 1 mm, qui fournisse une isolation supplémentaire.

Español ADVERTENCIAS GENERALES PARA INSTALADORES Y USUARIOS

- 1 Leer las **instrucciones de instalación** antes de comenzar la instalación. Mantenga las instrucciones para consultas futura
2. No desperdiciar en el ambiente los materiales de embalaje del producto o del circuito
3. Este producto fue diseñado y construido exclusivamente para el uso especificado en esta documentación. Cualquier otro uso no expresamente indicado puede afectar la integridad del producto y ser una fuente de peligro. El uso inadecuado es también causa de anulación de la garantía. SEA S.p.A. se exime de toda responsabilidad causadas por uso inapropiado o diferente de aquel para el que el sistema automatizado fue producido.
4. Los productos cumplen con la Directiva: Maquinas (2006/42/CE y siguientes modificaciones), Baja Tension (2006/95/CE, y siguientes modificaciones), Compatibilidad Electromagnética (2004/108/CE modificada). La instalación debe ser llevada a cabo de conformidad a las normas EN 12453 y EN 12445.
5. No instalar el dispositivo en una atmósfera explosiva.
6. SEAS.p.A. no es responsable del incumplimiento de la mano de obra en la construcción de la cancela a automatizar y tampoco de las deformaciones que puedan producirse durante el uso.
7. Antes de realizar cualquier operación apagar la fuente de alimentación y desconectar las baterías. Comprobar que el sistema de puesta a tierra sea diseñado de una manera profesional y conectar las partes metálicas del cierre.
8. Para cada instalación se recomienda utilizar como mínimo una luz parpadeante y una señal de alarma conectada a la estructura del marco.
9. SEAS.p.A. no acepta responsabilidad por la seguridad y el buen funcionamiento de la automatización en caso de utilización de componentes no producidos por SEA.
10. Para el mantenimiento utilizar únicamente piezas originales SEAS.p.A..
11. No modificar los componentes del sistema automatizado.
12. El instalador debe proporcionar toda la información relativa al funcionamiento manual del sistema en caso de emergencia y darle al usuario el folleto de adjunto al producto.
13. No permita que niños o adultos permanecen cerca del producto durante la la operación. La aplicación no puede ser utilizada por niños, personas con movilidad reducida de tipo físico, mental, sensorial o igual por personas sin experiencia o formación necesaria. Tener los radiomandos fuera del alcance de niños así como cualquier otro generador de impulsos radio para evitar que el automación pueda ser accionada accidentalmente.
14. El tránsito a través de las hojas sólo se permite cuando la puerta está completamente abierta.
15. Todo el mantenimiento, reparación o controles deberán ser realizados por personal cualificado. Evitar cualquier intento a reparar o ajustar. En caso de necesidad comunicarse con un personal SEA calificado. Sólo se puede realizar la operación manual.
16. La longitud máxima de los cables de alimentación entre motor y central no debe ser superior a 10 metros. Utilizar cables con 2,5 mm². Utilizar cables con doble aislamiento (cables con vaina) hasta muy cerca de los bornes, especialmente por el cable de alimentación (230V). Además es necesario mantener adecuadamente distanciados (por lo menos 2,5 mm en aire) los conductores de baja tensión (230V) y los conductores de baja tensión de seguridad (SELV) o utilizar una vaina adecuada que proporcione aislamiento adicional con un espesor mínimo de 1 mm.

Deutsch ALL GEMEINE HINWEISE FUER DEN INSTALLATEUR UND DEN NUTZER

1. Lesen Sie die **Installierungsanweisungen** sorgfältig durch bevor Sie mit der Installation beginnen. Diese Anweisungen an einem leicht zugänglichen Ort aufbewahren.
2. Verpackungsmaterial des Produkts und/oder der Schaltkreise umweltgerecht entsorgen.
3. Dieses Produkt wurde speziell und ausschließlich für den, in den Unterlagen beschriebenen Zweck, geplant und hergestellt. Jede andere Verwendung, die nicht ausdrücklich angegeben wurde kann die Integrität des Produkts schädigen und/oder eine Gefahrenquelle darstellen. Die nicht fachgerechte Nutzung des Produkts bewirkt die Erlöschung der Garantie. SEA S.p.A. lehnt jegliche Haftung, für unsachgemäße oder andere Nutzung, als die wofür das Produkt bestimmt ist, ab.
4. SEA Produkte entsprechen den folgenden Richtlinien: Maschinenrichtlinie (2006/42/EG und nachträglich geänderten Fassungen), Niederspannungs-Richtlinie (2006/95/EG und nachträglich geänderten Fassungen), EMV (2004/108/EG und nachträglich geänderten Fassungen). Installation gemäß Standard EN12453 und EN12445 durchführen.
5. Installieren Sie das Gerät nicht in explosionsgefährdeten Umgebungen, das Vorhandensein von brennbaren Gasen oder Dämpfen stellt ein ernstes Sicherheitsrisiko dar.
6. SEA S.p.A. ist nicht für die Nichtbeachtung der Guten Technik bei der Herstellung von zu motorisierenden Toren und für deren eventuellen Verformungen, die während des Gebrauchs auftreten könnten, haftbar.
7. Vor allen Eingriffen, das Gerät ausschalten und die Batterien trennen. Sicherstellen, dass die Erdung fachgerecht hergestellt wurde und die Metallteile des Tores daran anschließen.
8. Für jede Anlage wird empfohlen, mindestens ein Blinklicht zu montieren und ein Warnschild auf der Torstruktur anzubringen.
9. SEAS.p.A. übernimmt keine Haftung für Sicherheit und reibungslosen Betrieb des Antriebs, bei Verwendung von Komponenten, die nicht von der SEA Produktion stammen.
10. Für die Wartung nur SEA Originalteile verwenden.
11. Keinerlei Änderungen auf Komponenten der Automation vornehmen.
12. Der Installateur muss den Nutzer des Antriebs über den manuellen Betrieb des Systems im Notfall unterrichten und ihm, das, dem Produkt beiliegende, Handbuch übergeben.
13. Der Aufenthalt von Kindern oder Erwachsenen in der Nähe des Tores während seines Betriebes ist nicht gestattet. Die Anlage darf nicht von Kindern, Personen mit eingeschränkten körperlichen, geistigen oder sensorischen Fähigkeiten oder von Menschen ohne notwendige Erfahrung oder Anweisungen benutzt werden. Fernbedienungen oder andere Impulsgeber außerhalb der Reichweite von Kindern halten, um die versehentliche Aktivierung der Anlage zu verhindern.
14. Die Durchfahrt zwischen den Flügeln ist nur bei vollständig geöffnetem Tor zulässig.
15. Sämtliche Wartungs- und Reparaturarbeiten oder periodische Kontrollen, müssen von qualifiziertem Fachpersonal durchgeführt werden. Der Endverbraucher muss davon absehen eigenständig Reparaturen oder Eingriffe jeder Art an der Anlage durchzuführen und muss sich ausschliesslich an qualifiziertes SEA Fachpersonal wenden. Der Endverbraucher darf nur die manuelle Notfunktion durchführen.
16. Die maximale Länge der Stromkabel zwischen Steuerung und Motoren ist 10 Meter. Verwenden Sie Kabel mit 2,5 mm² Querschnitt und Doppelisolierung (Kabelmantel) in der unmittelbaren Nähe von Klemmen, insbesondere für das Speisungskabel (230V). Die Speisungskabel (230V) und die Sicherheits-Niederspannungskabel (SELV) müssen in einem Abstand von mindestens 2,5 mm gehalten werden, oder eine geeignete Hülse von 1mm Dicke, für eine zusätzliche Isolierung verwenden..



SEA[®]
electronic opening system

Questo articolo è stato prodotto seguendo rigide procedure di lavorazione ed è stato testato singolarmente al fine di garantire i più alti livelli qualitativi e la vostra soddisfazione. Vi ringraziamo per aver scelto SEA.

This item has been produced following strict production procedures and has been singularly tested for the highest quality levels and for your complete satisfaction. Thanks for choosing SEA.

Cet article a été produit suivant des procédures d'usage strictes et il a singulièrement été testé afin de garantir les plus hauts niveaux de qualité pour votre satisfaction. Nous vous remercions d'avoir choisi SEA.

Este artículo ha sido producido siguiendo rigidos procedimientos de elaboración y ha sido probando singolarmente a fin de garantizar los mas altos niveles de calidad y vuestra satisfaccion. Le agradecemos por haber escogito SEA.

CERTIFICATO DI ESTENSIONE GARANZIA CERTIFICATE OF WARRANTY EXTENTION

n.

PRODOTTO/ PRODUCT

- Modello/Model _____
- Matricola n. /Serial Number _____
- Data di acquisto/Date of order _____
- Data di installazione/Date of installation _____

Centrale/Control unit	SEA <input type="checkbox"/>	Altri/Others	<input type="checkbox"/>
Fotocellule/Photocells	SEA <input type="checkbox"/>	Altri/Others	<input type="checkbox"/>
RX - TX	SEA <input type="checkbox"/>	Altri/Others	<input type="checkbox"/>
Altri accessori /Other accessories	SEA <input type="checkbox"/>	Altri/Others	<input type="checkbox"/>

UTENTE/Customer

Nome e Cognome _____
First Name and Family Name _____
Indirizzo/Address _____

INSTALLATORE/Installer

Ragione sociale/Company Name _____
Nome e Cognome/First and Family Name _____
Indirizzo/Address _____

INSTALLATORE/INSTALLER

Firma per il trattamento dei dati personali 196/2003
Agreement of law No. 196/2003 (Privacy Code)

Copia da restituire
Copy to be returned

Firma e Timbro
Sign and Stamp _____

N.B: L'estensione della garanzia legale di 12 mesi a 24 mesi e 36 mesi è valida solo se il presente modulo viene rispedito per posta o fax a SEA S.p.A. entro 15gg dalla data di acquisto. Allegare relativa fattura d'acquisto.

Note: The extension of the legal standard warranty of 12 months to 24 months and to 36 months, is valid only if the present form is returned by mail or fax to SEA S.p.A within 15days from the date of purchase. Attach customer invoice.



SEA[®]
Sistemi Elettronici
di Apertura Porte e Cancelli
International registered trademark n. 804888

SEA S.p.A. - Zona Industriale San Atto- 64020 Teramo (Italy)
Phone +39 0861 588341- Fax +39 0861588344
www.seateam.com - info@seateam.com



SEA[®]

Sistemi Elettronici
di Apertura Porte e Cancelli
International registered trademark n. 904888



SEA S.p.A.
Zona industriale 64020 S.ATTO Teramo - (ITALY)
Tel. 0861 588341 r.a. Fax 0861 588344

www.seateam.com

seacom@seateam.com